



rollytoys Kundendienst Deutschland:

Tel: +49 (0) 95 68 / 856-142

Fax: +49 (0) 95 68 / 856-183

e-mail: service@rollytoys.de

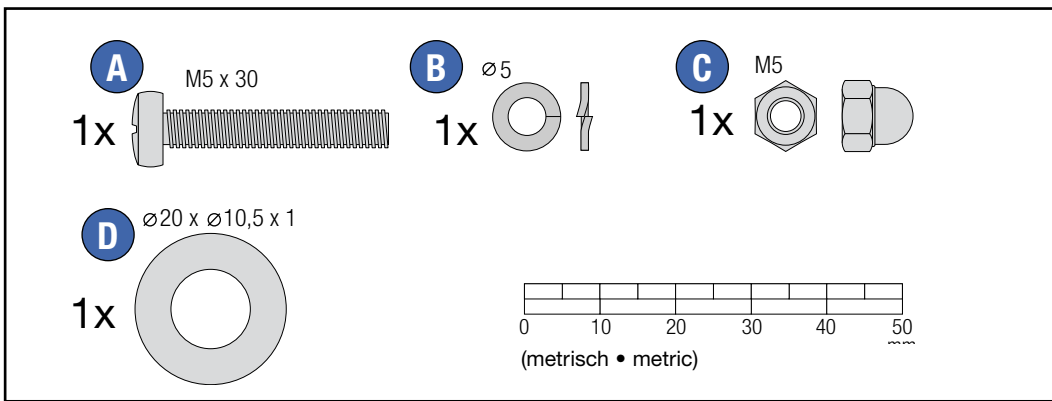
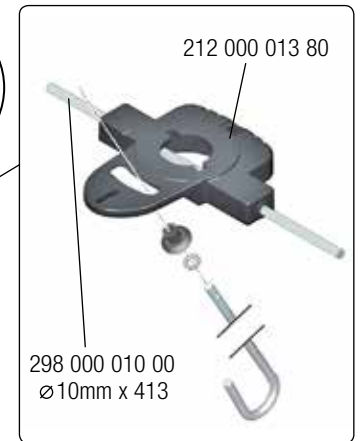
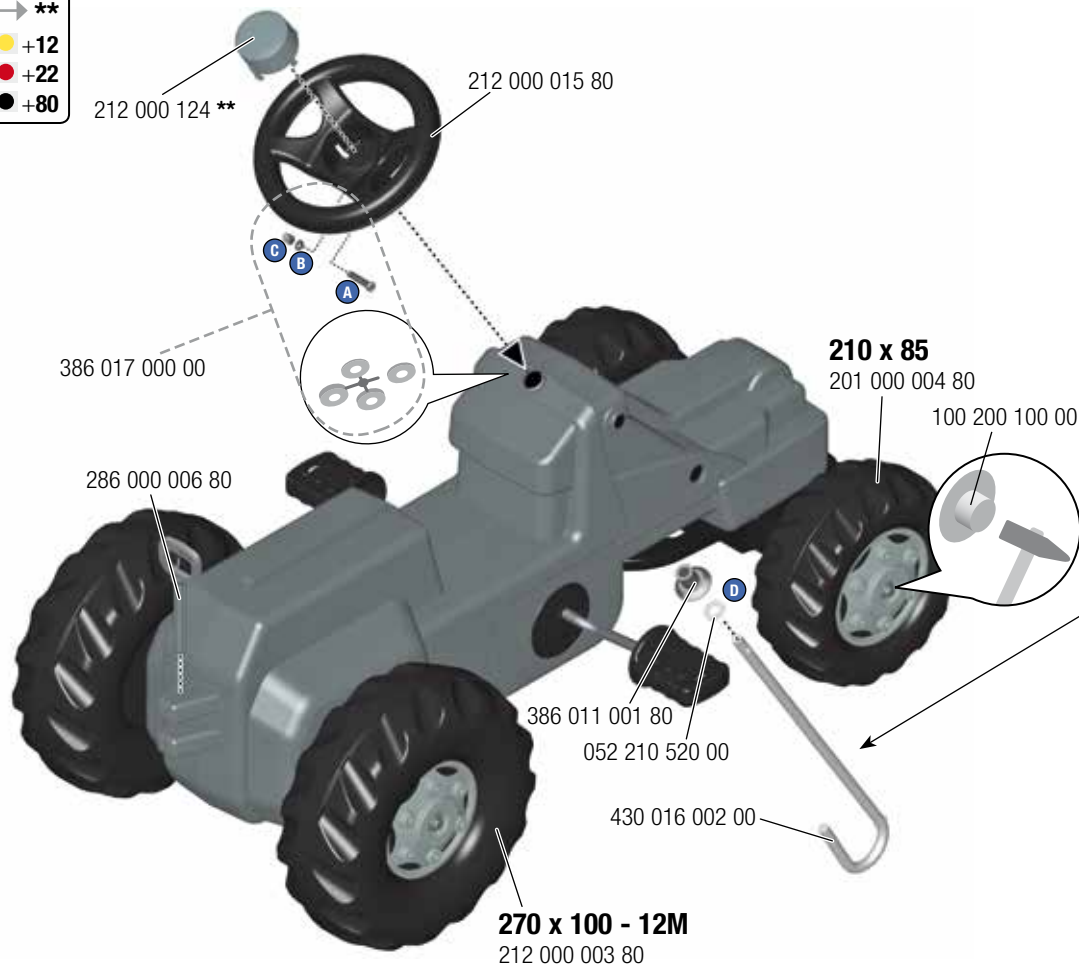
Plattform / Platform

01 *** *, 02 *** *

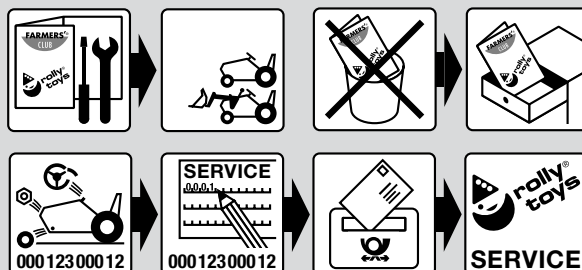
2014/01

010.000.800.00

- **
- +12
- +22
- +80



made in Germany



Franz Schneider GmbH & Co KG

P.O.Box 1460

D-96459 · Neustadt bei Coburg · Germany

Tel.: +49 (0) 95 68 / 856-0

Fax.: +49 (0) 95 68 / 856-190

www.rollytoys.com



rolly toys Kundendienst Deutschland:

Tel: +49 (0) 95 68 / 856-142

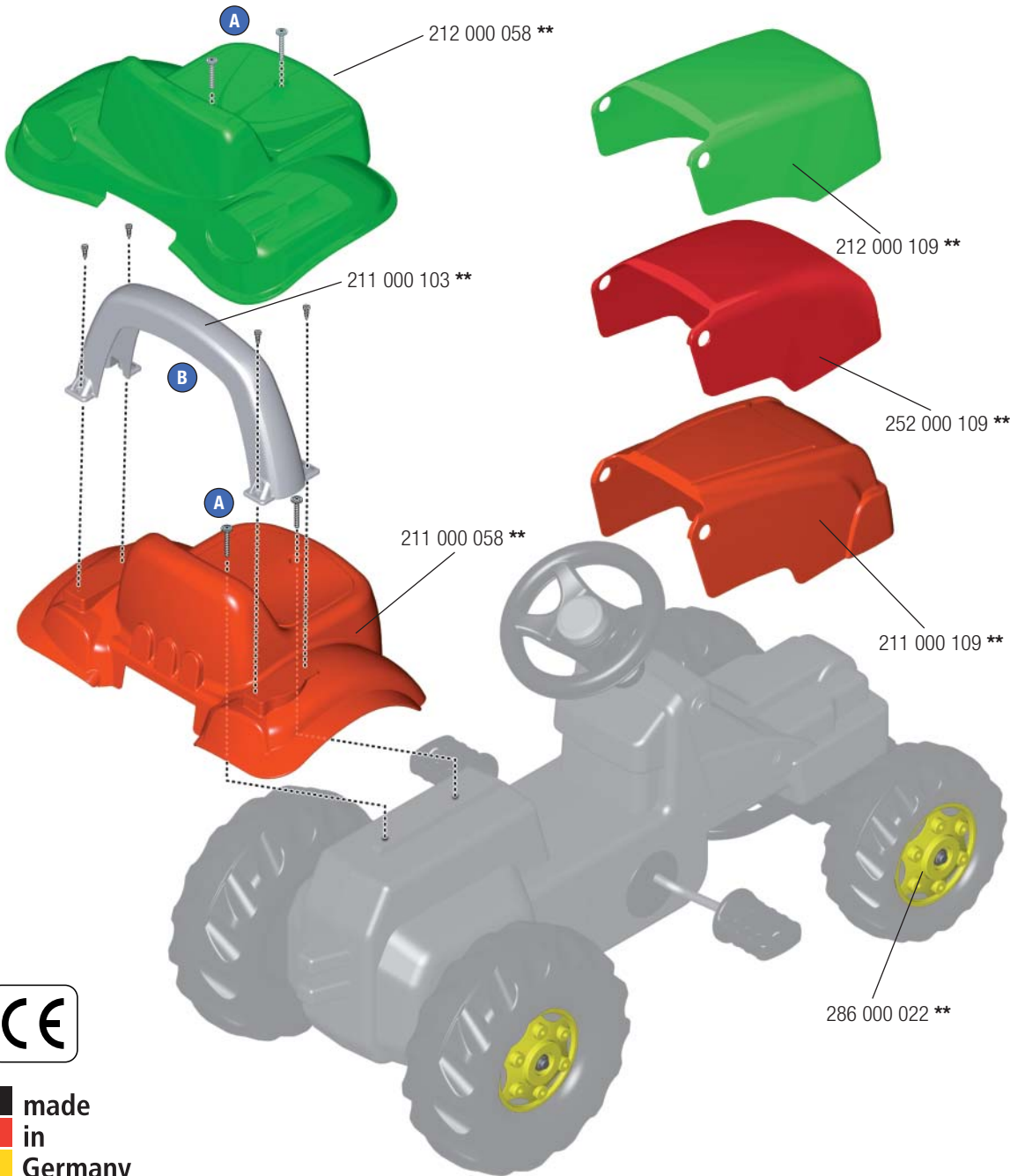
Fax: +49 (0) 95 68 / 856-183

e-mail: service@rollytoys.de

Plattform Plate-forme 01 *** *
Basis Piattaforma 02 *** *

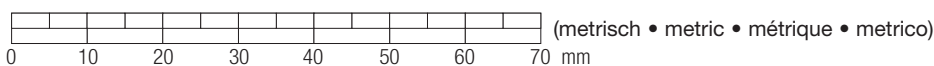
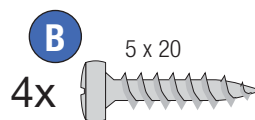
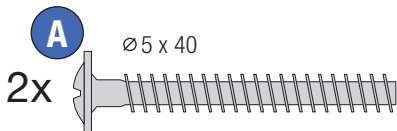
2011/03

010.000.801.00



made in Germany

→ **
● +10
● +12
● +13
● +20
● +22
● +23
● +30
● +37
● +40
● +41
● +44
● +47
● +51
● +70
● +75
● +80



Franz Schneider GmbH & Co KG

P.O.Box 1460

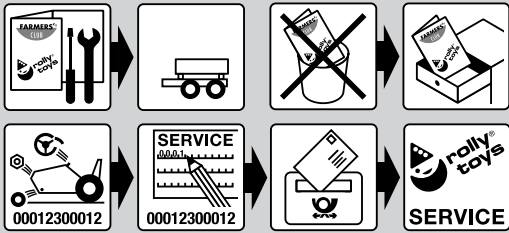
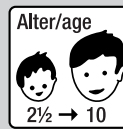
D-96459 · Neustadt bei Coburg · Germany

Tel.: +49 (0) 95 68 / 856-0

Fax.: +49 (0) 95 68 / 856-190

www.rollytoys.com · e-mail: service@rollytoys.de

rollyKid Trailer



rolly toys Kundendienst Deutschland:

Tel: +49 (0) 95 68 / 856-142
 Fax: +49 (0) 95 68 / 856-183
 e-mail: service@rollytoys.de

2011/03

211.000.800.00



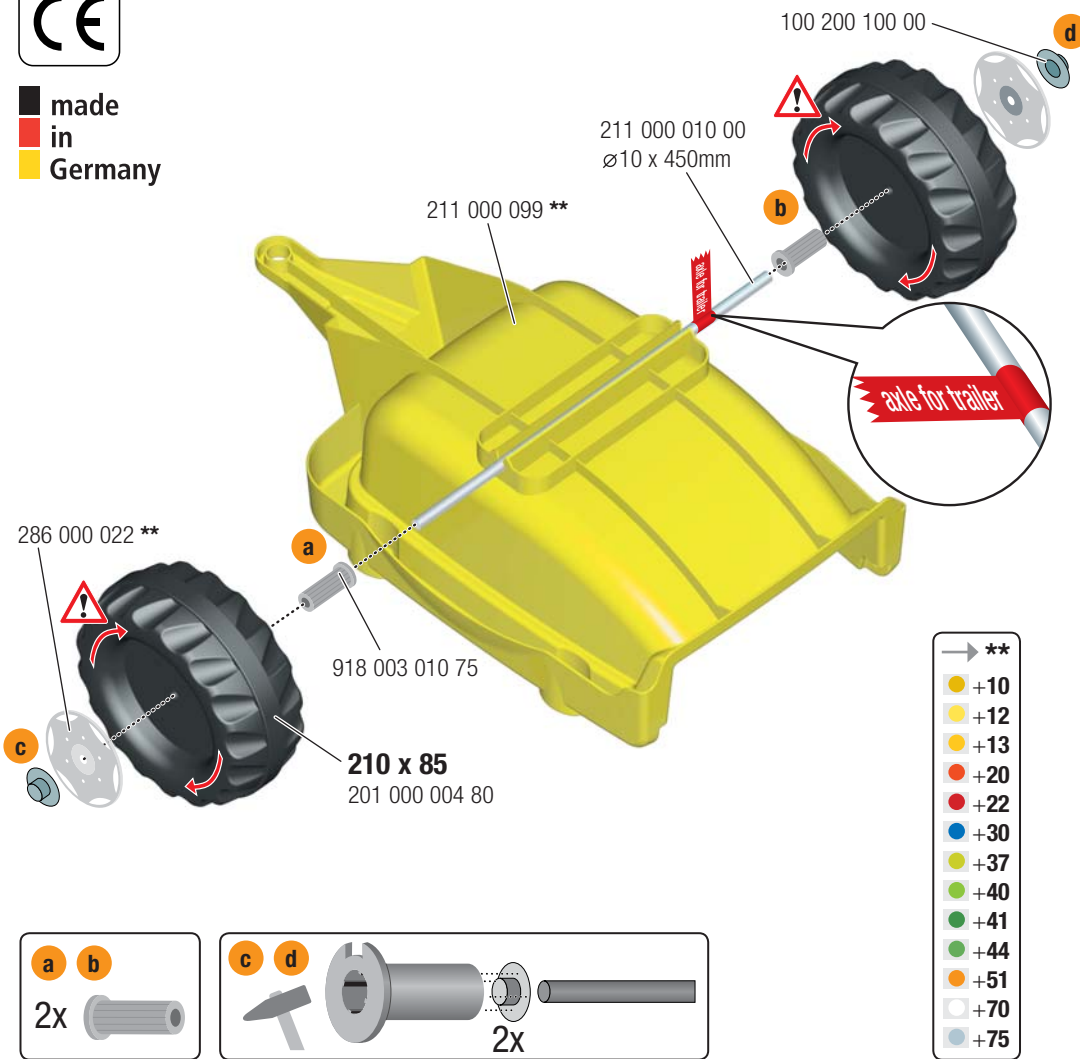
made in Germany



---NORTH & SOUTH AMERICA only---

180 days warranty

From the date of purchase + guaranteed spare part service
 The warranty does not cover damages caused by improper use or neglect



WARNING

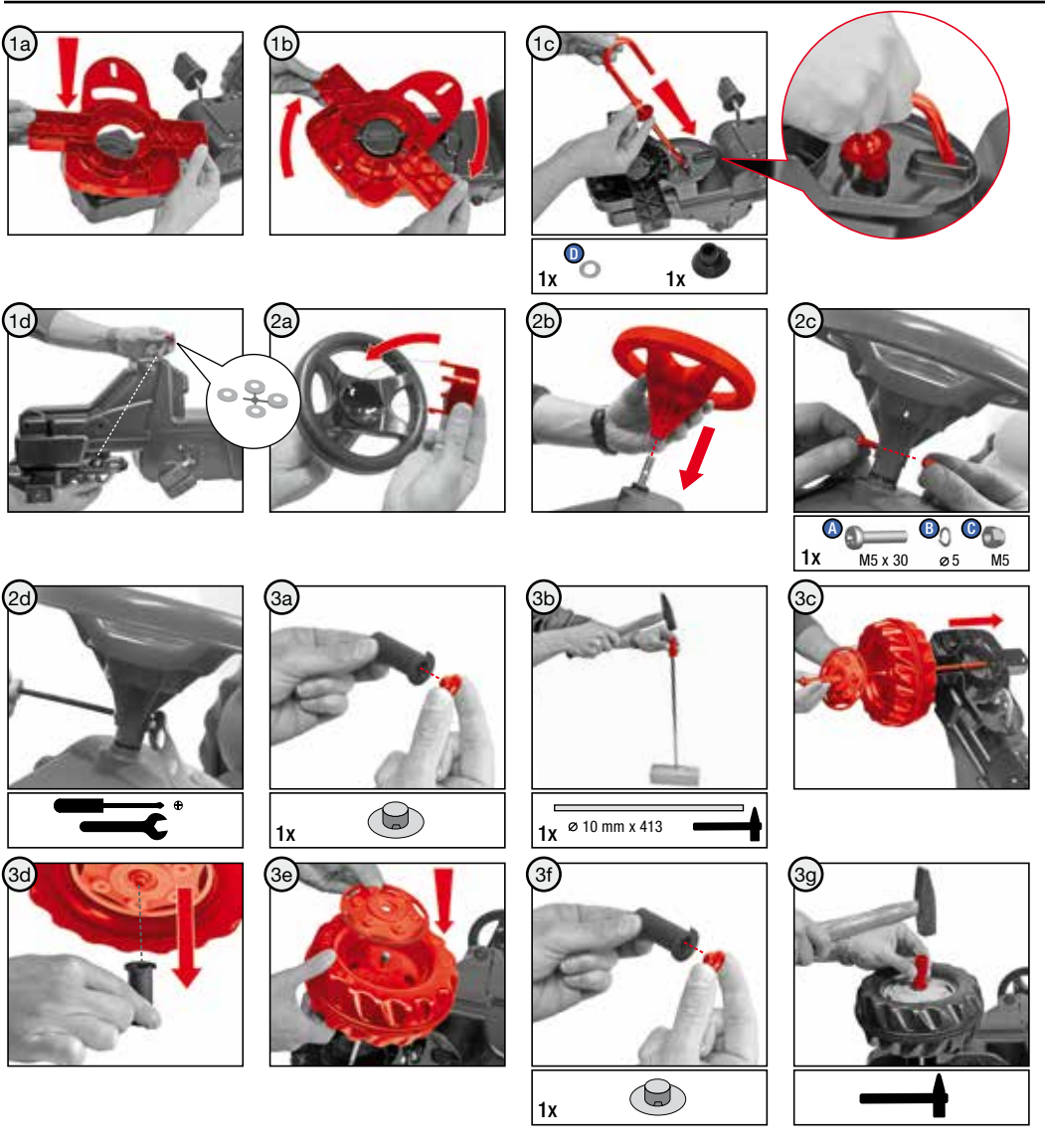
- **CHOKING HAZARD:** Small parts. Danger of being swallowed. Contains small parts in non assembled state. Must be assembled by adults.
- Adult supervision required.
- Never use near steps, slopes, driveways, hills, roadways, alleys or swimming pool areas.
- Always wear shoes.
- Never allow more than one rider.
- The use of protective gear and a safety helmet is highly recommended.
- Conforms to the requirements of ASTM Standard Consumer Safety Specification on Toy Safety, F 963



<input checked="" type="checkbox"/>	rolly Dreiradtraktoren	05 ●●●●
<input type="checkbox"/>	rollyMinitrac	13 ●●●●
<input checked="" type="checkbox"/>	rollyKid	01 ●●●● / 02 ●●●●
<input checked="" type="checkbox"/>	rollyJunior	80 ●●●● / 81 ●●●●
<input checked="" type="checkbox"/>	rollyFarmtrac	60 ●●●● / 61 ●●●●
<input checked="" type="checkbox"/>	rollyFarmtrac Classic	03 ●●●● / 04 ●●●●
<input checked="" type="checkbox"/>	rollyFarmtrac Premium	70 ●●●● / 71 ●●●●
<input checked="" type="checkbox"/>	rollyX-Trac	03 ●●●● / 04 ●●●●
<input checked="" type="checkbox"/>	rollyTruck (Unimog)	03 ●●●●



Franz Schneider GmbH & Co KG
 P.O.Box 1460
 D-96459 · Neustadt bei Coburg · Germany
 Tel.: +49 (0) 95 68 / 856-0
 Fax.: +49 (0) 95 68 / 856-190
 www.rollytoys.com



--- NORTH & SOUTH AMERICA only ---

180 days warranty

From the date of purchase + guaranteed spare part service
The warranty does not cover damages caused by improper use or neglect



WARNING

- **CHOKING HAZARD:** Small parts. Danger of being swallowed. Contains small parts in non assembled state. Must be assembled by adults.
- Adult supervision required.
- Never use near steps, slopes, driveways, hills, roadways, alleys or swimming pool areas.
- Always wear shoes.
- Never allow more than one rider.
- The use of protective gear and a safety helmet is highly recommended.
- Conforms to the requirements of ASTM Standard Consumer Safety Specification on Toy Safety, F 963

