

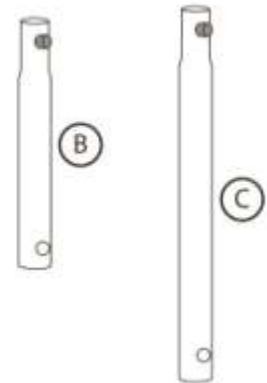
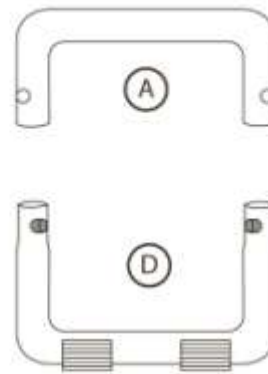
Active Worlds Tray Stand



Code: FU00202

What's in the box

- (A) 4 Top pieces
- (B) 8 Short legs
- (C) 8 Long legs
- (D) 4 Bottom pieces with non-slip rubber grips

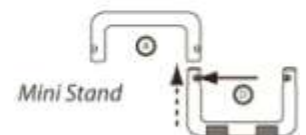


Assembly instructions

Mini Stand

Use pieces (A) + (D)

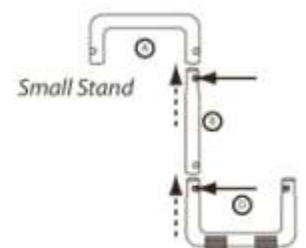
1. Push in the button on (D) and slide up into the hole in piece (A).
2. The button should spring out once securely locked into the hole.
3. Repeat until all pieces are locked together.



Small Stand

Use pieces (A) + (B) + (D)

1. Push in the button on (D) and slide up into the hole in piece (B).
2. Push in the button on (B) and slide up into the hole in piece (A).
3. The button should spring out once securely locked into the hole.
4. Repeat until all pieces are locked together.

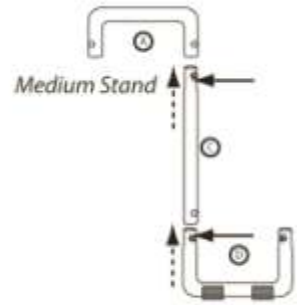


Active Worlds Tray Stand

Medium Stand

Use pieces (A) + (C) + (D)

1. Push in the button on (D) and slide up into the hole in piece (C)
2. Push in the button on (C) and slide up into the hole in piece (A)
3. The button should spring out once securely locked into the hole
4. Repeat until all pieces are locked together.



Large Stand

Use pieces (A) + (B) + (C) + (D)

1. Push in the button on (D) and slide up into the hole in piece (B)
2. Push in the button on (B) and slide up into the hole in piece (C)
3. Push in the button on (C) and slide up into the hole in piece (A)
4. The button should spring out once securely locked into the hole
5. Repeat until all the pieces are locked together to complete the stand.

