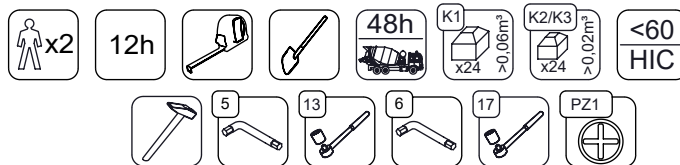
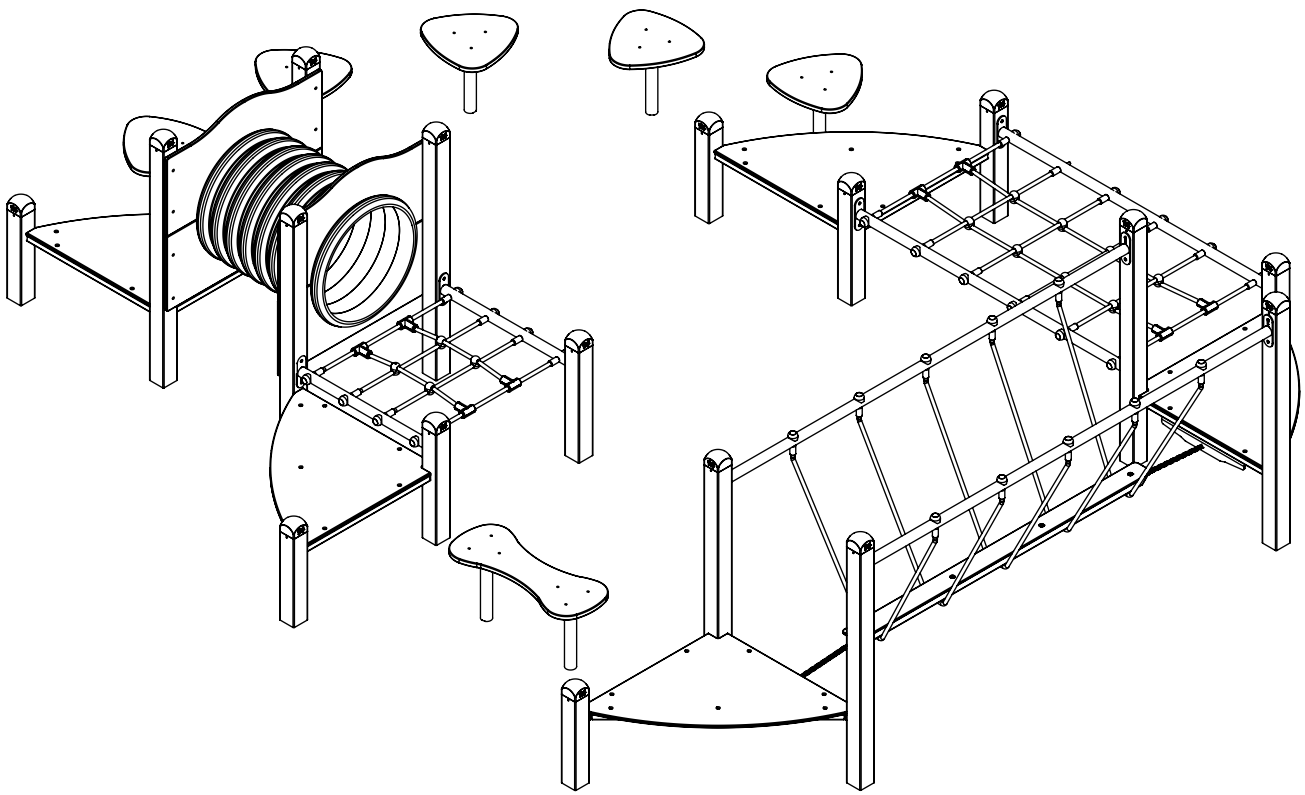
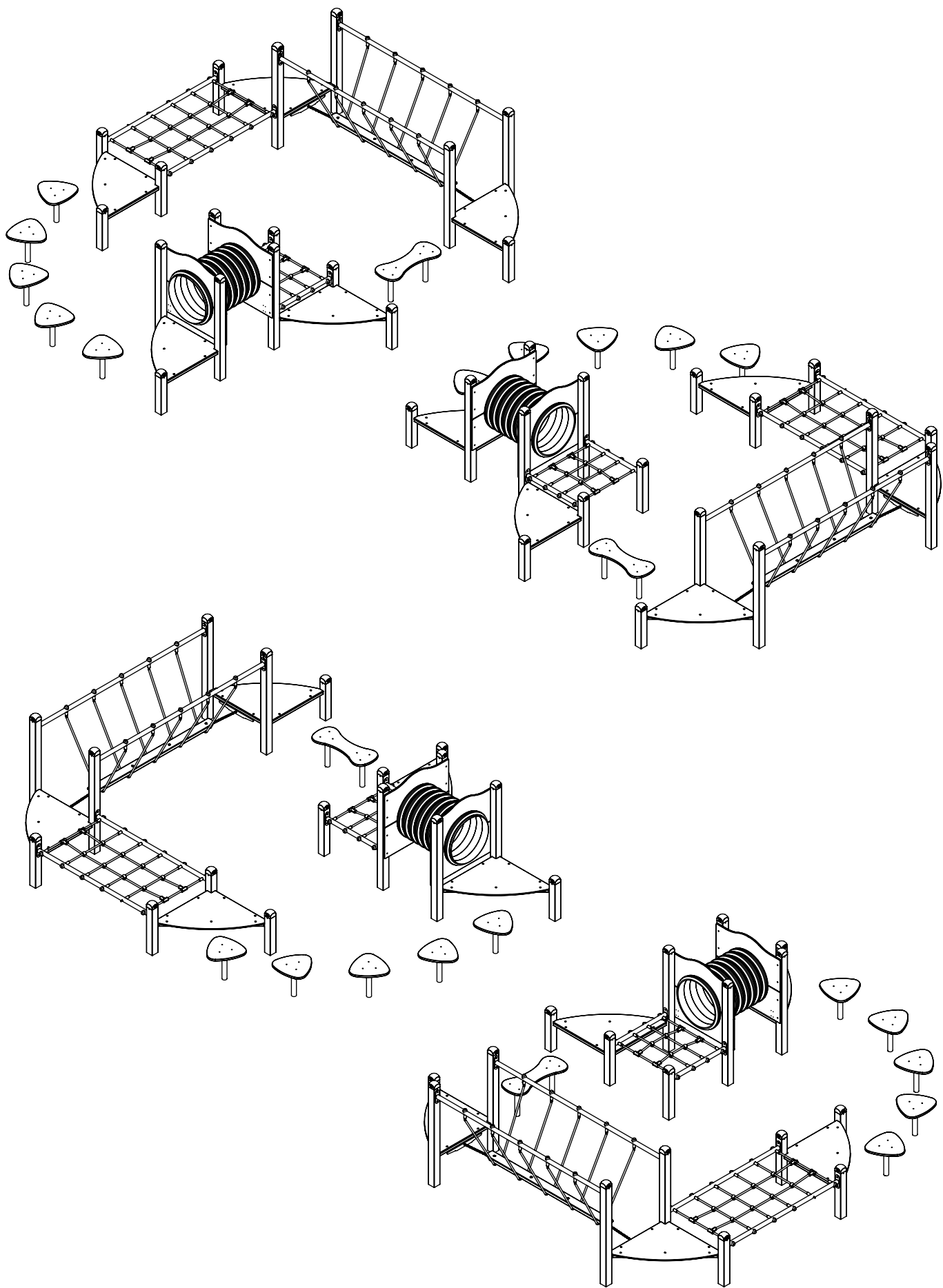


0413-1



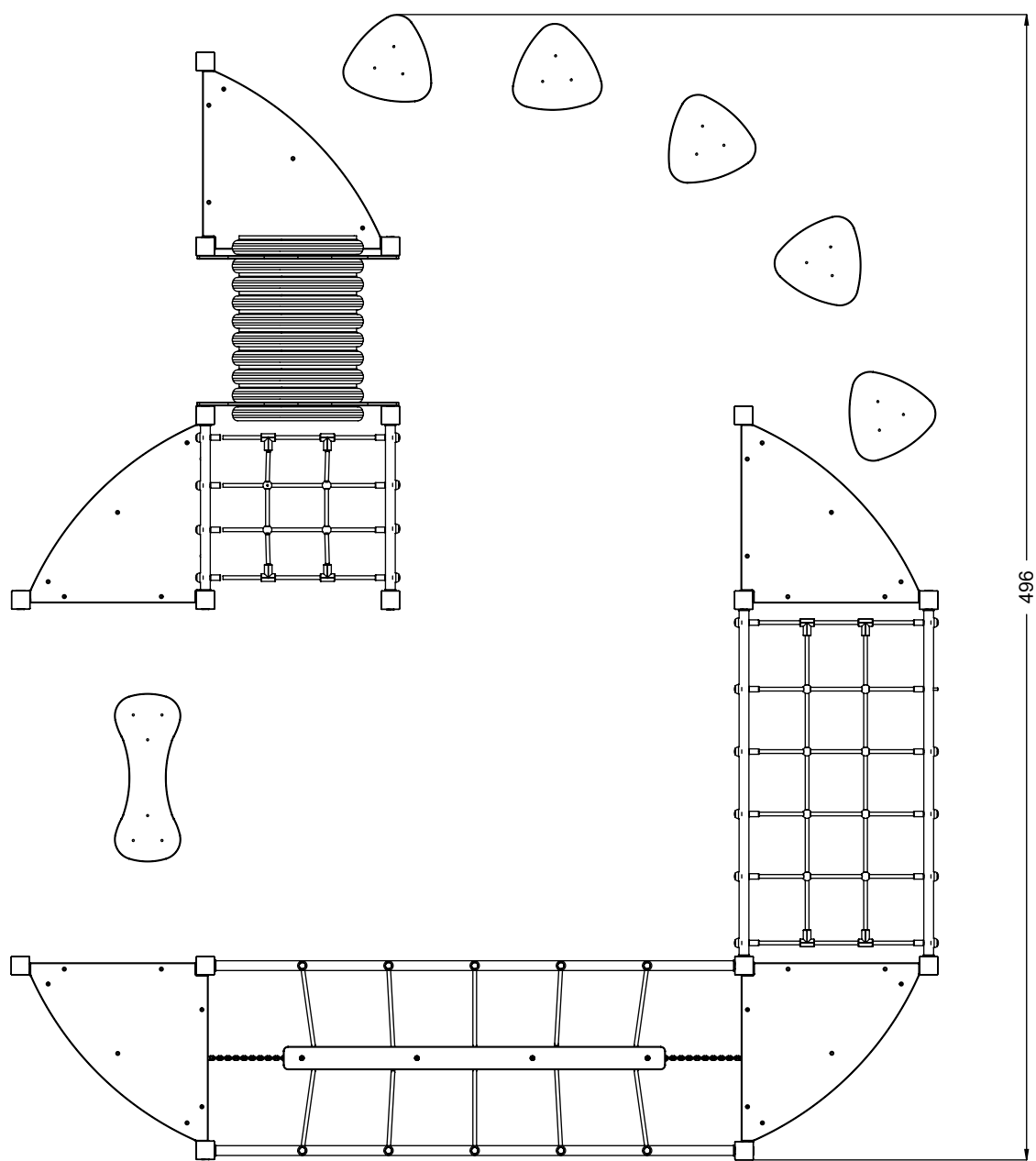
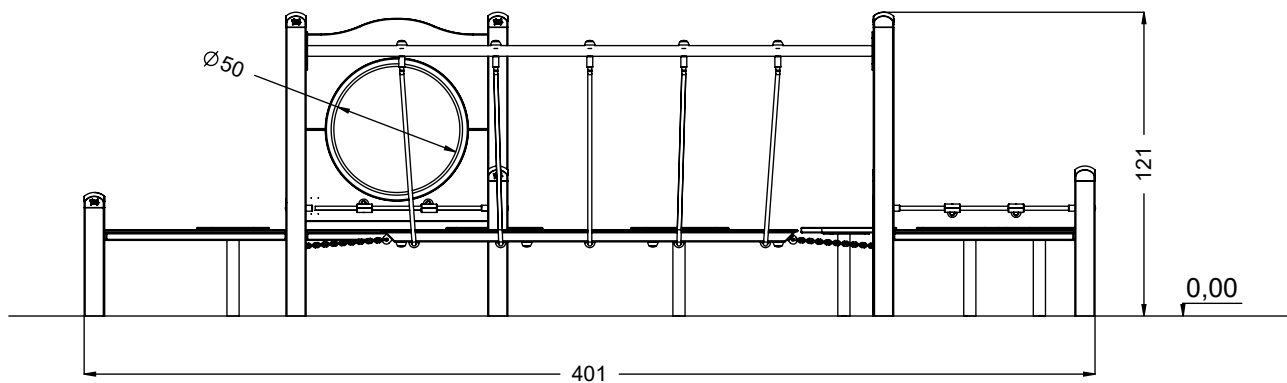
v015
13.08.2021
A. H.
[cm]

vinci
play



[cm]

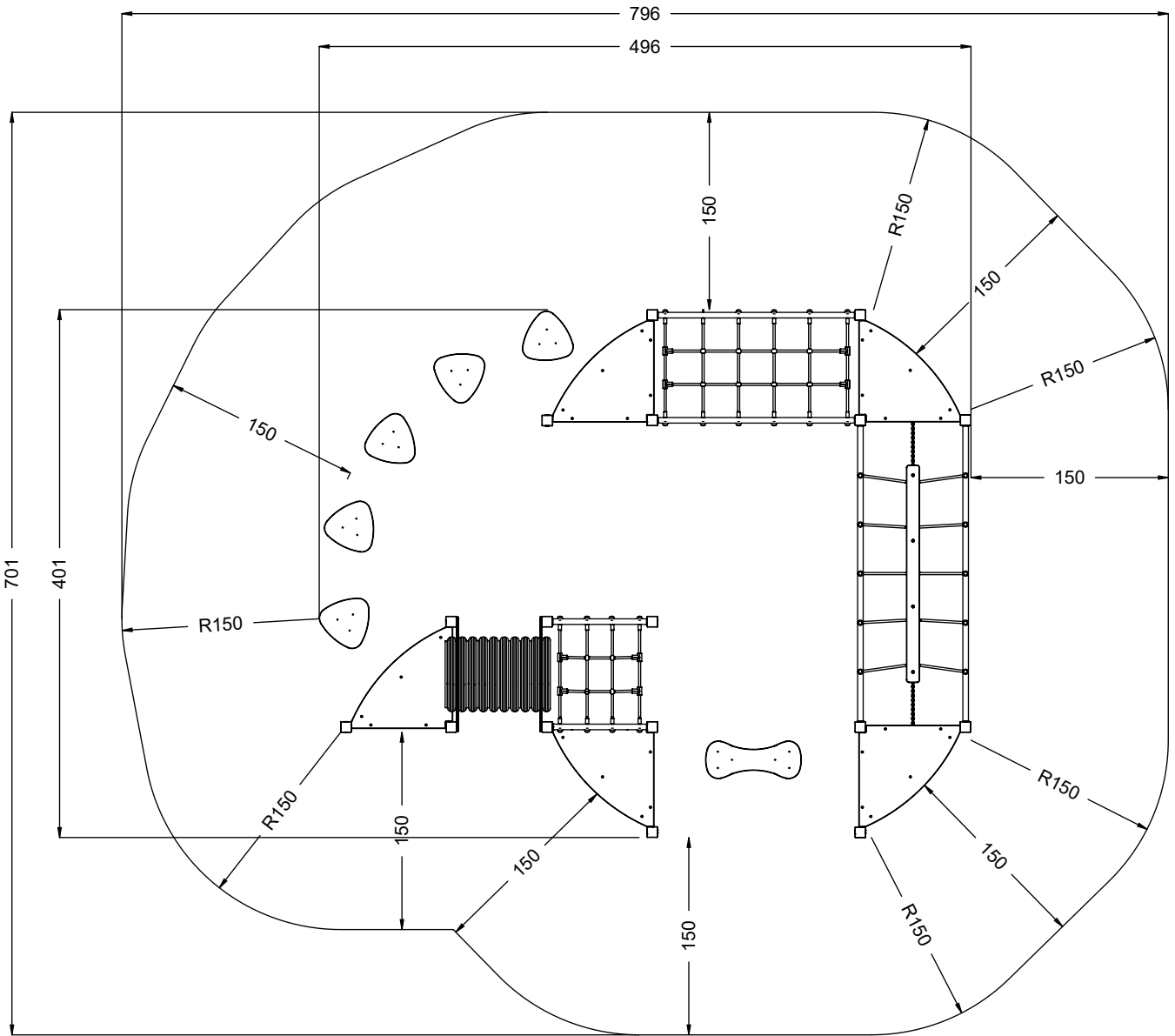
vinci
play



[cm]



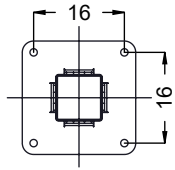
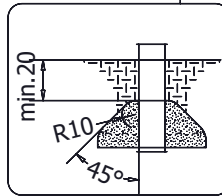
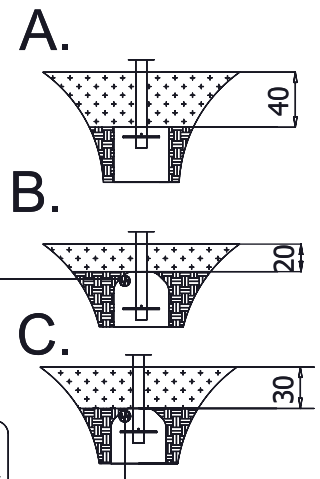
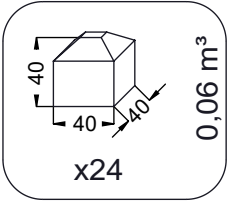
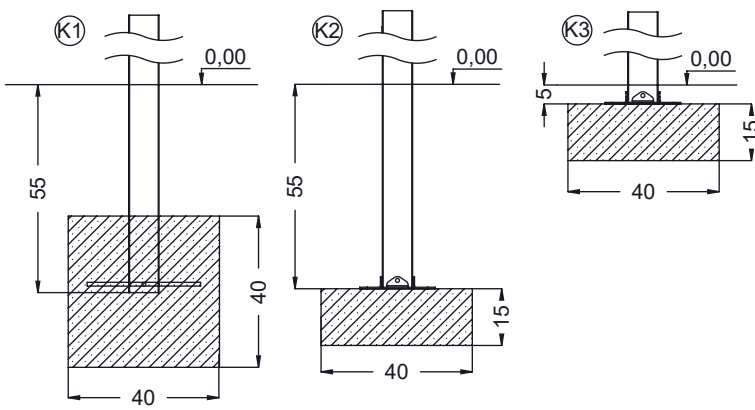
vinci
play



[cm]

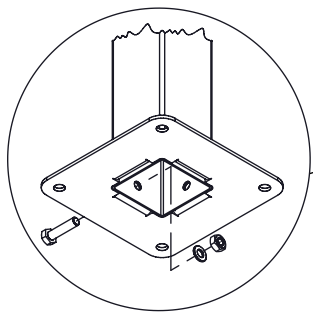


vinci
play

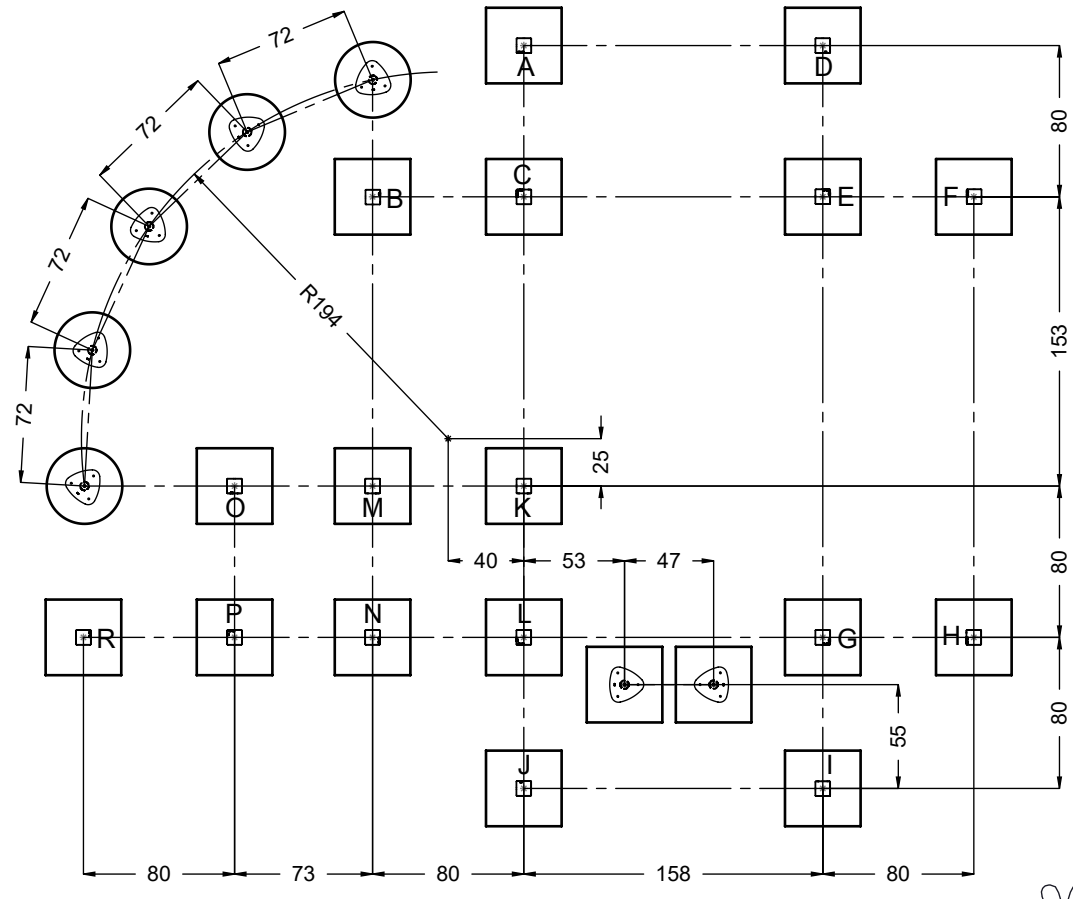


89x M10x120 (K2)
89x M10x120 (K3)

NOT INCLUDED



E37

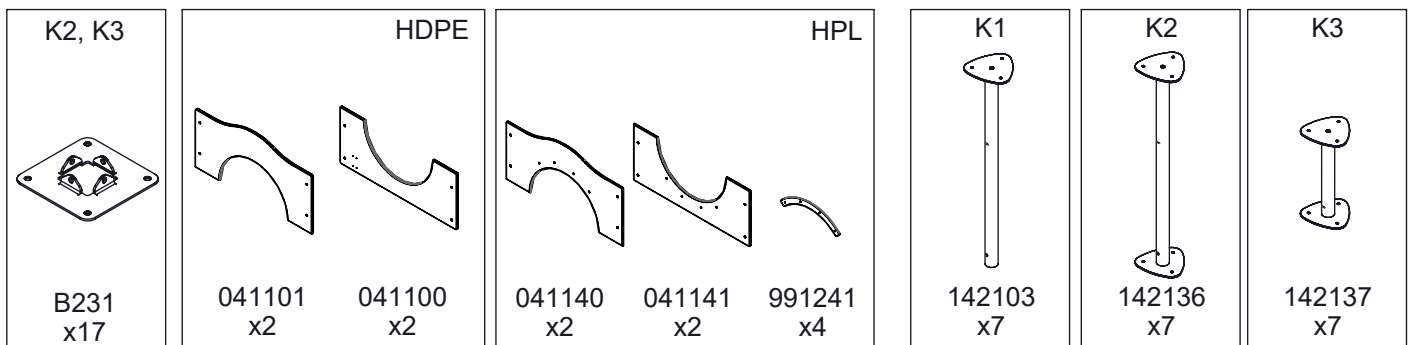
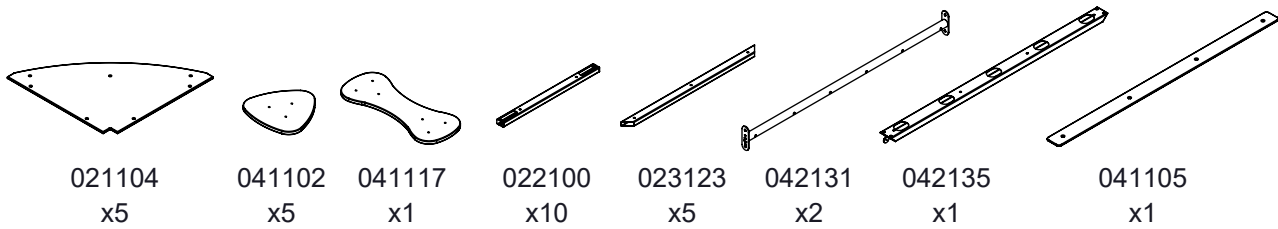
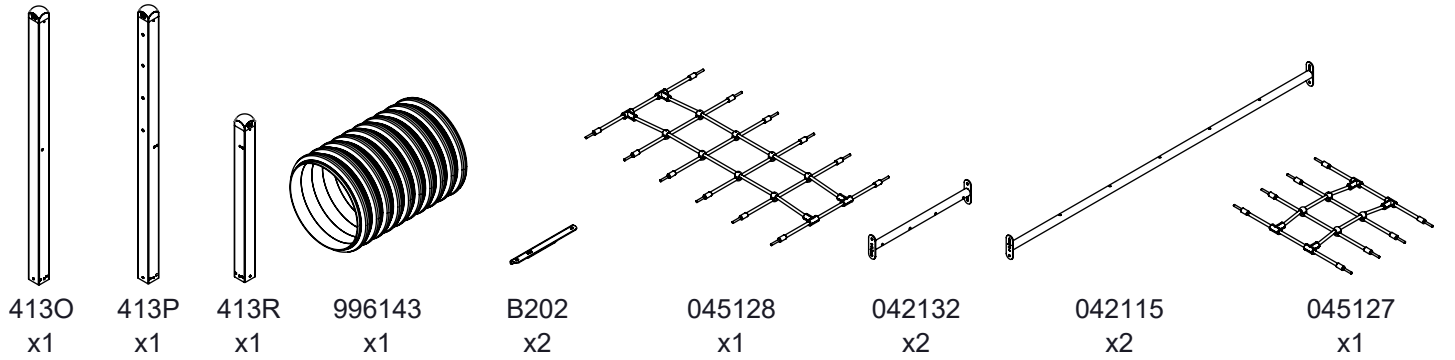
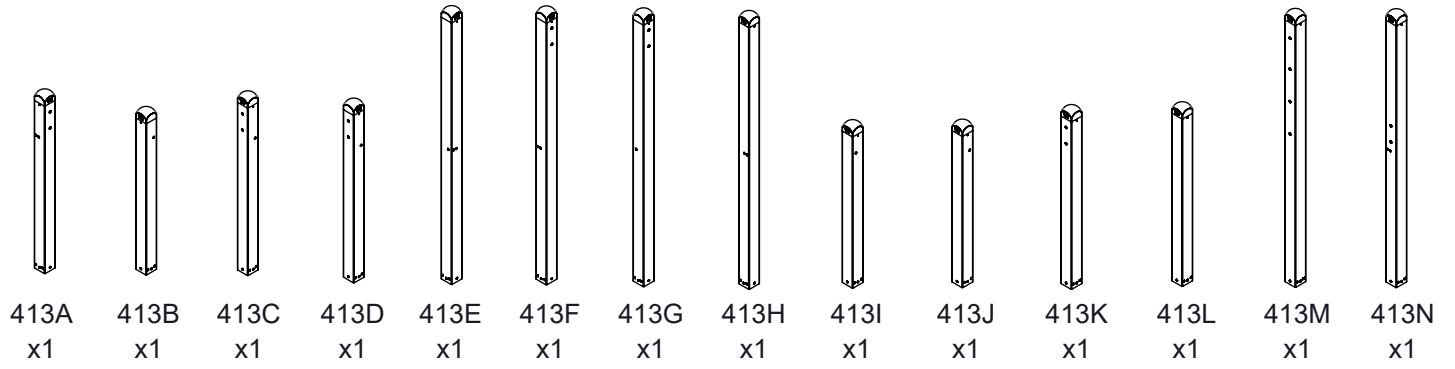


[cm]

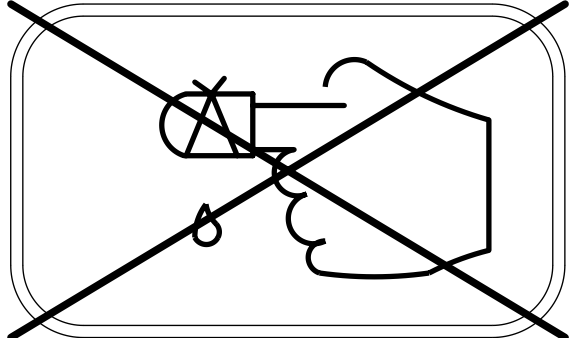
x2
 12h

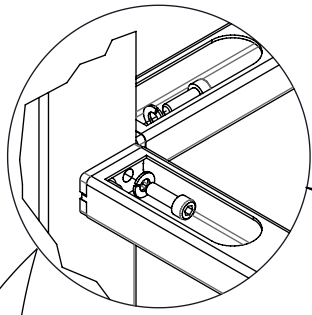
 48h
 K1 x24 >0,06m³
 K2/K3 x24 >0,02m³

vinci play



ST/INOX		PLYWOOD / HDPE		HPL	
6x	E1	1x	PS31	1x	PH31
	E37 (K2, K3)	2x	PS1	2x	PH1
1x	E187	3x	PS2	3x	PH2
1x	E31	5	PS5	5	PH5
1x	E32	7x	PS50	7x	PH50
1x	E50	1x	PH64	1x	PH64
2x	E14			2x	E130
5x	E42				
1x	V001				





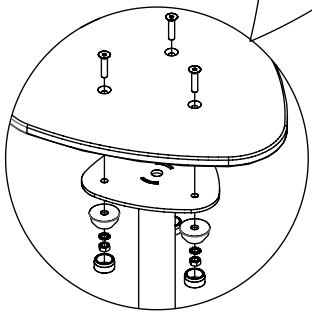
5x **E42**

041102
5x

041117
1x

022100
10x

K1 (043123)
K2 (042136)
K3 (042137)
7x

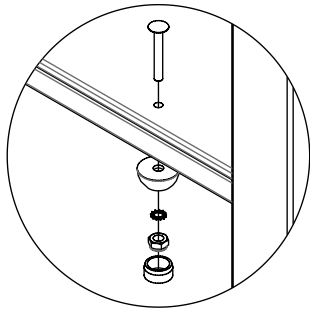


PLYWOOD HPL
7x **PS50** **PH50**

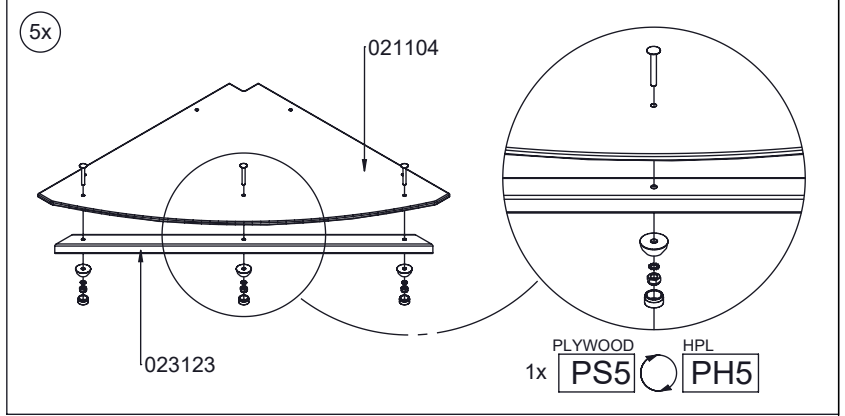
[cm]



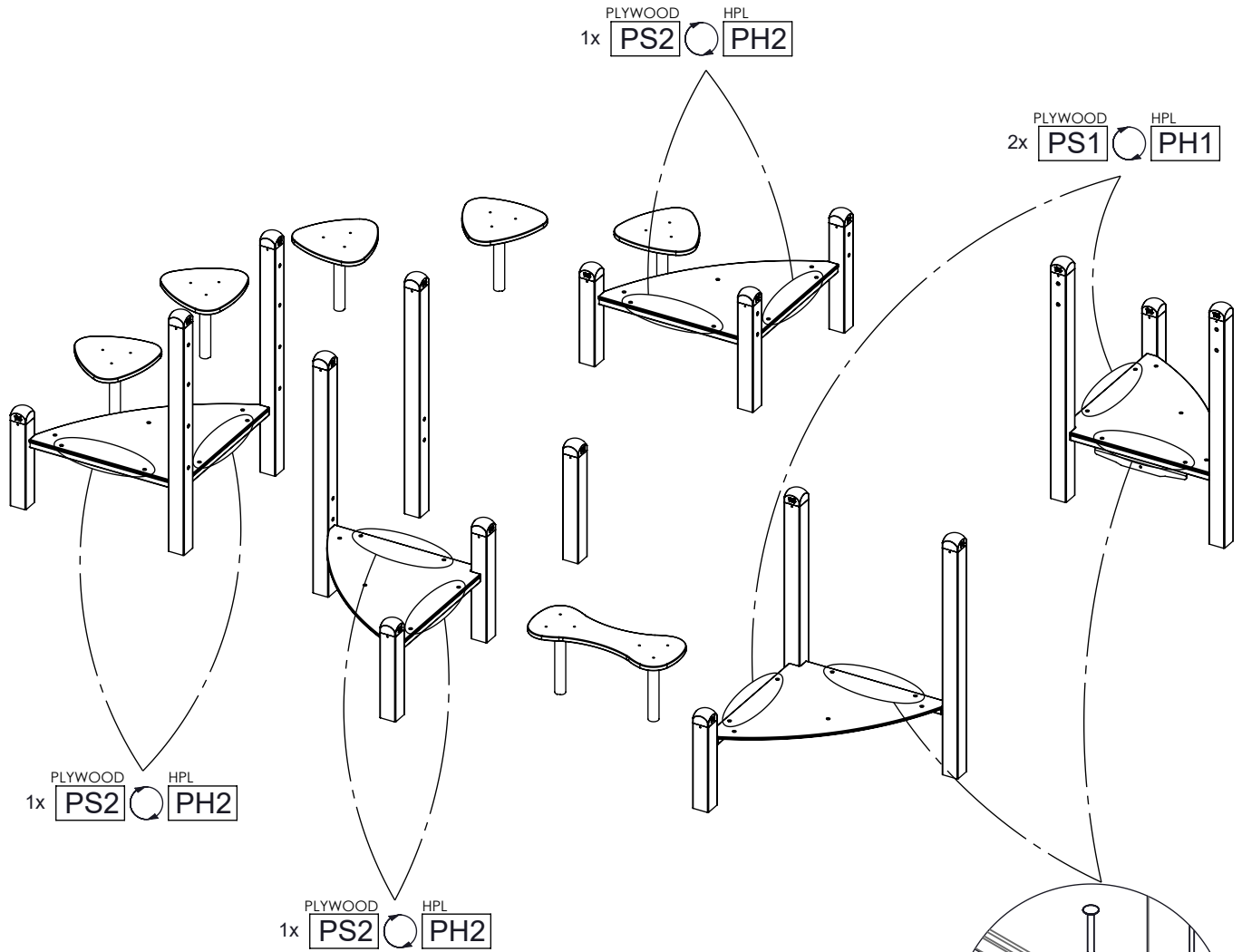
vinci
play



PLYWOOD PS1 HPL PH1
 PLYWOOD PS2 HPL PH2

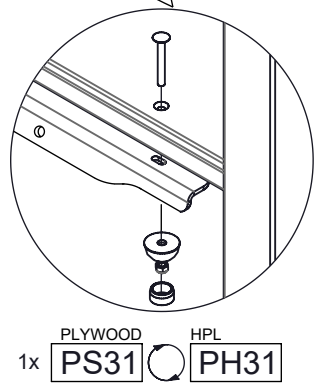


PLYWOOD PS5 HPL PH5



PLYWOOD PS2 HPL PH2

PLYWOOD PS2 HPL PH2

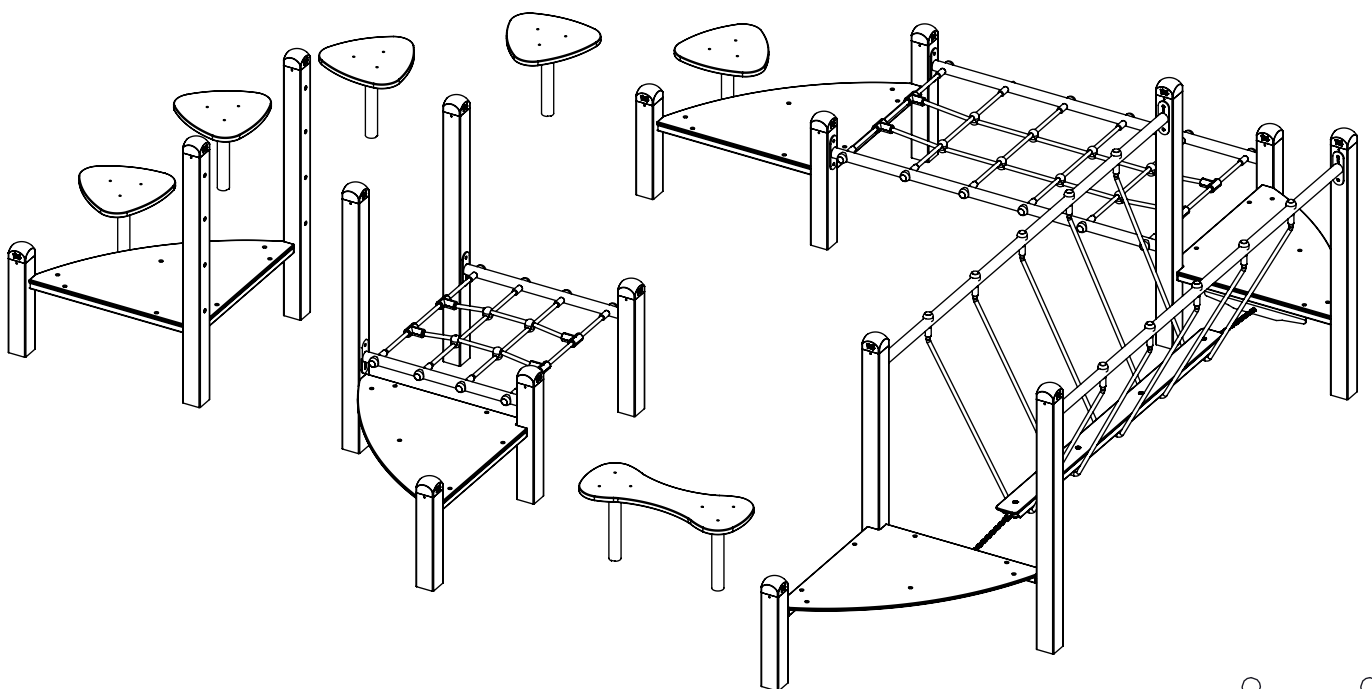
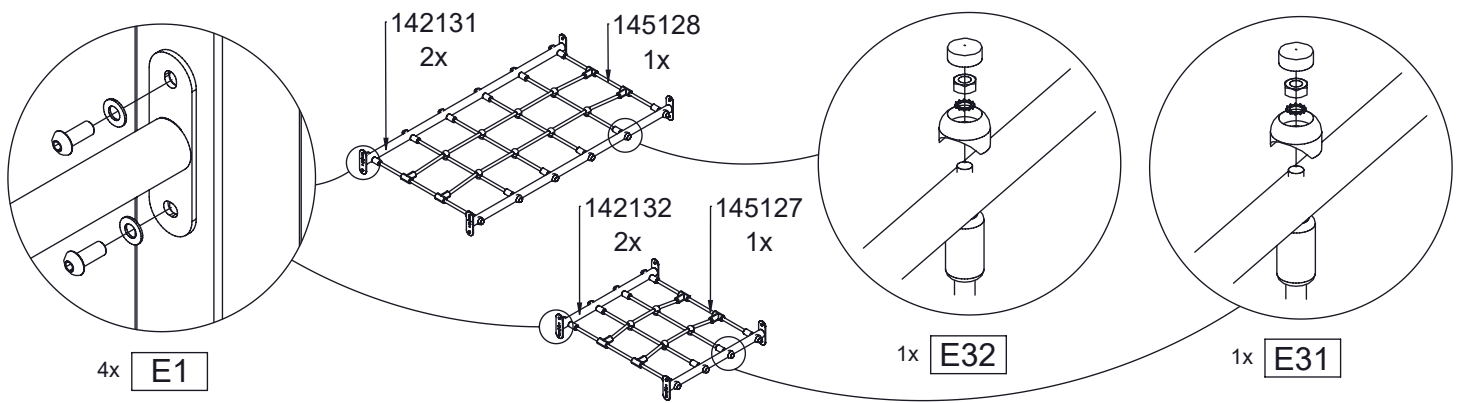
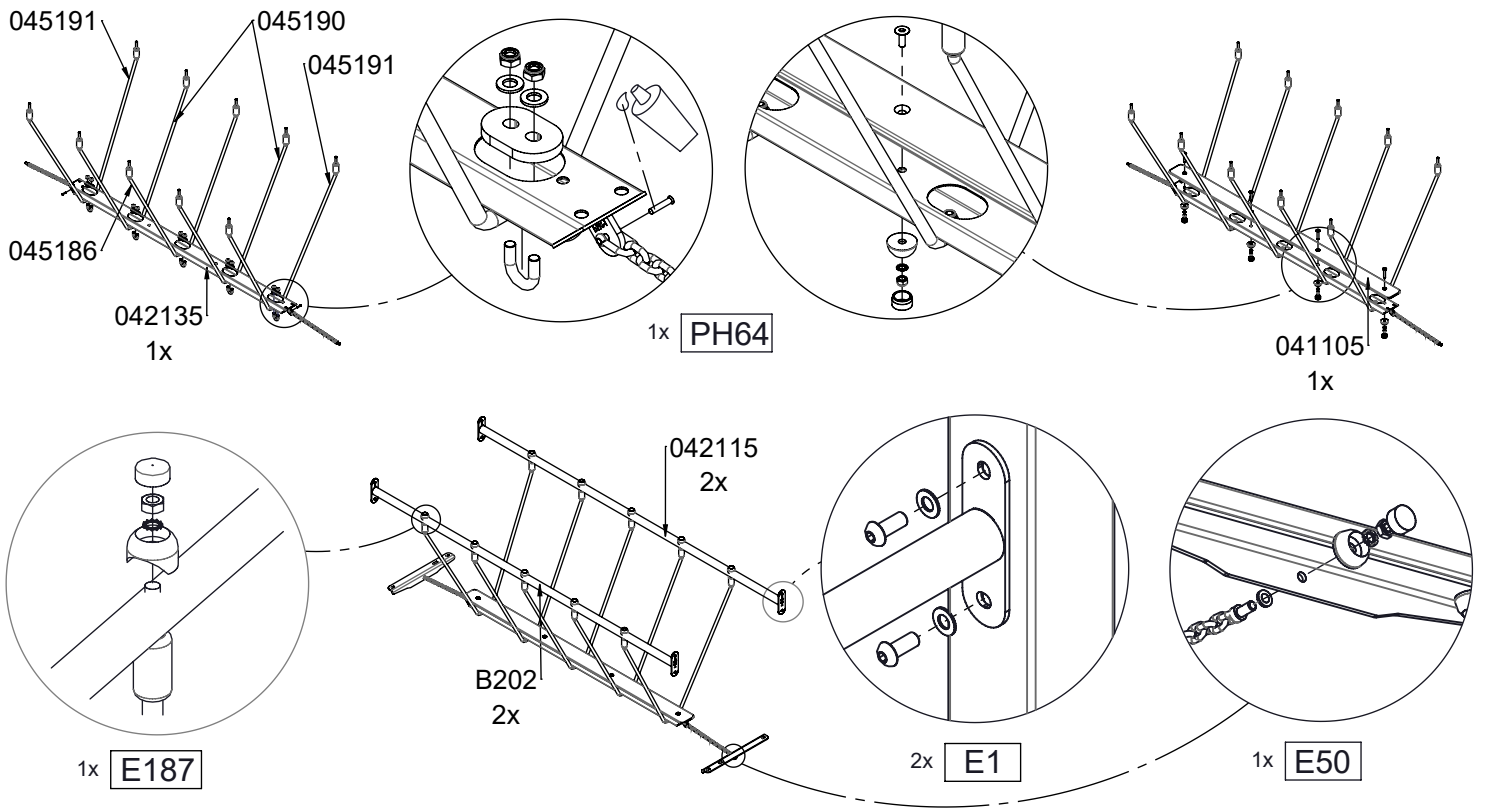


PLYWOOD PS31 HPL PH31

[cm]



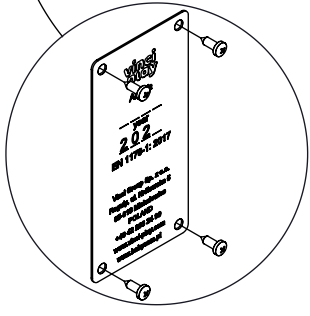
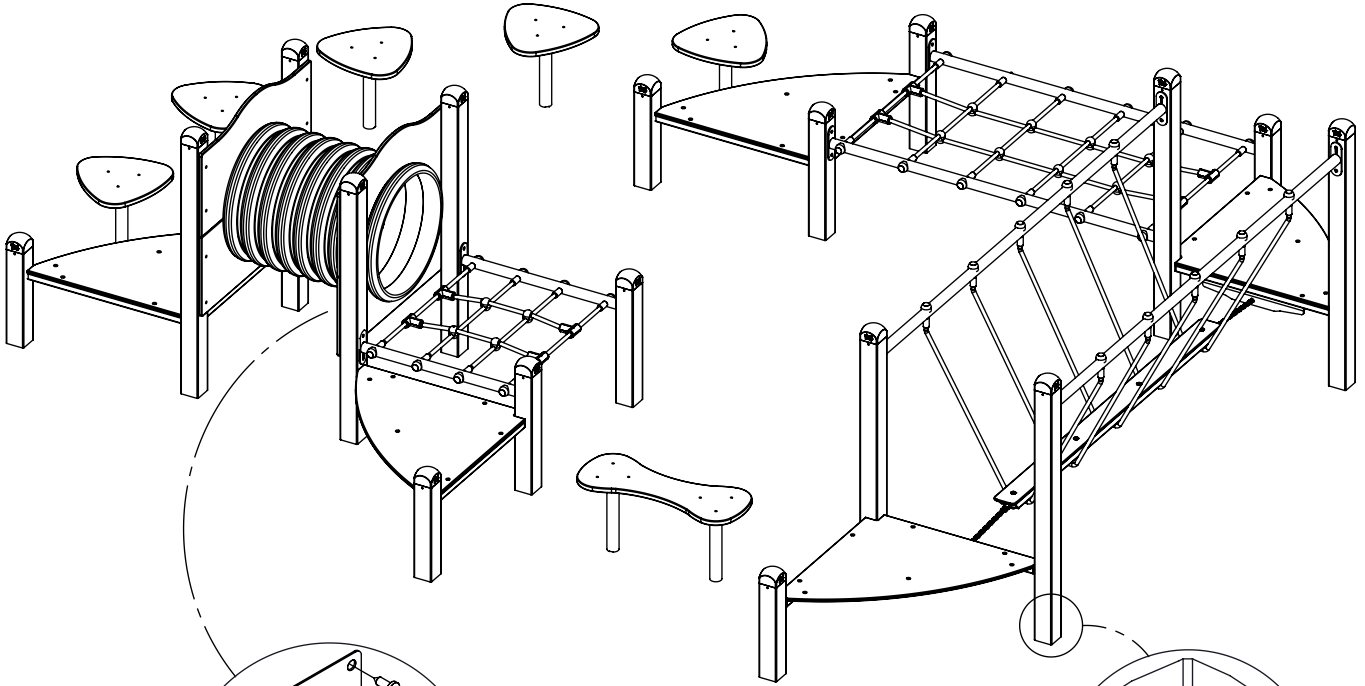
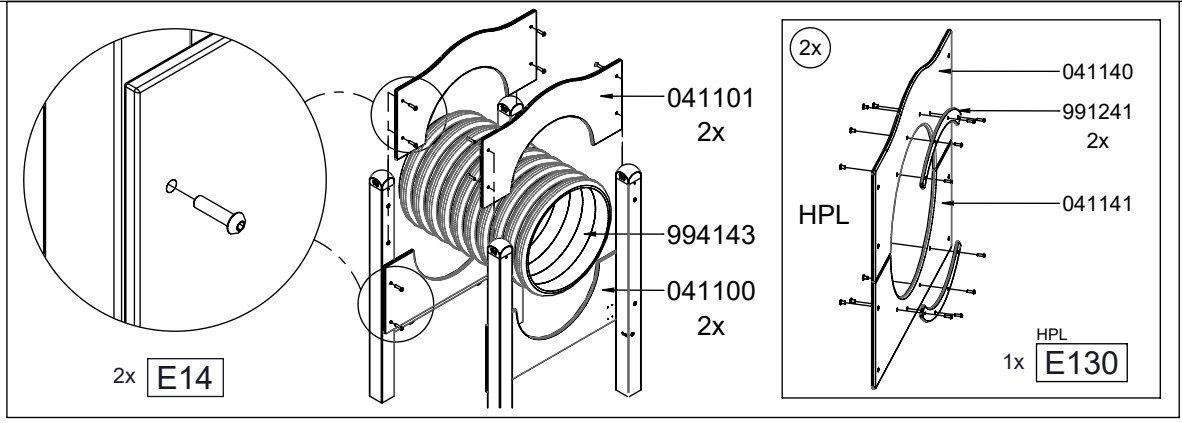
vinci play



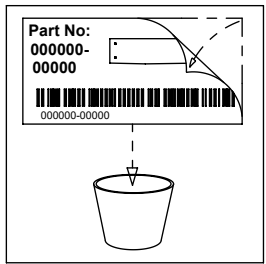
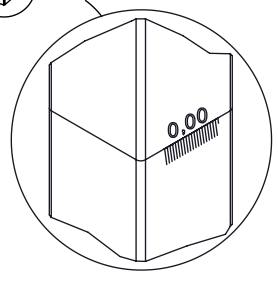
[cm]



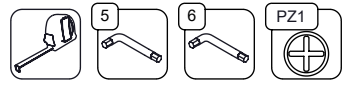
vinci
play



V001



[cm]



vinci
play