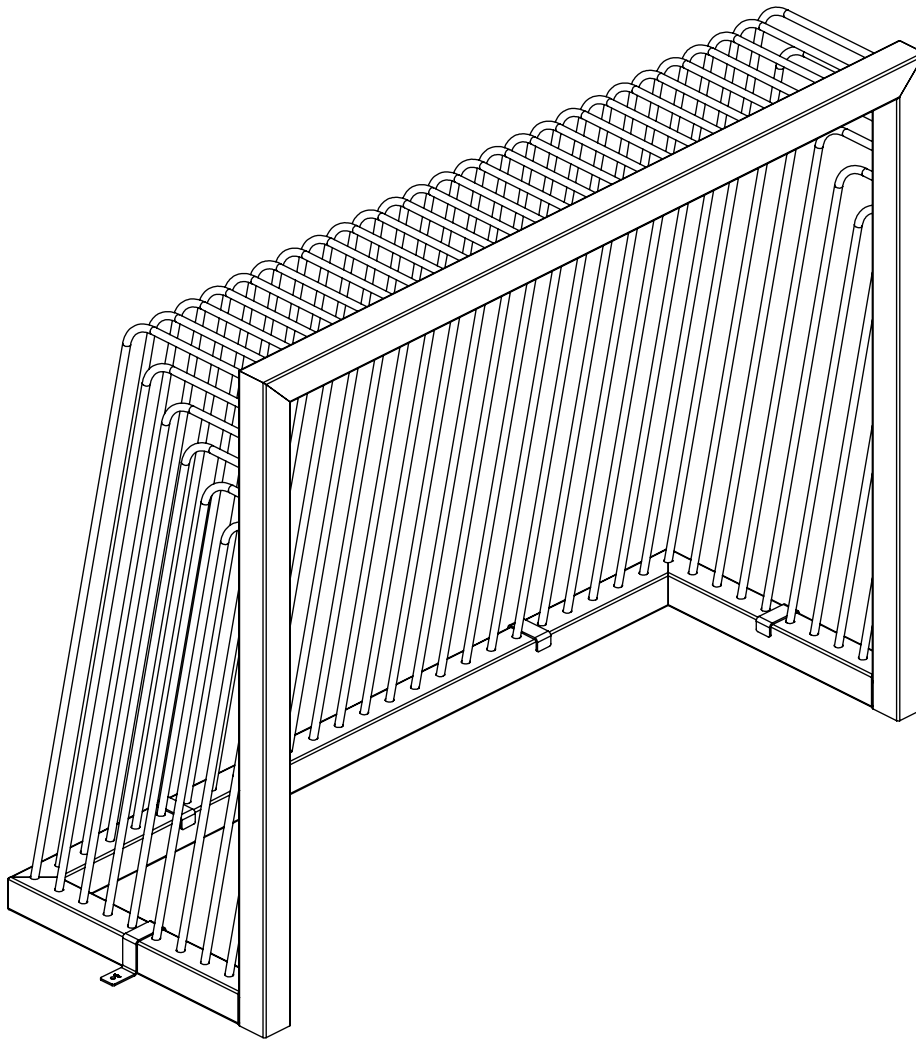


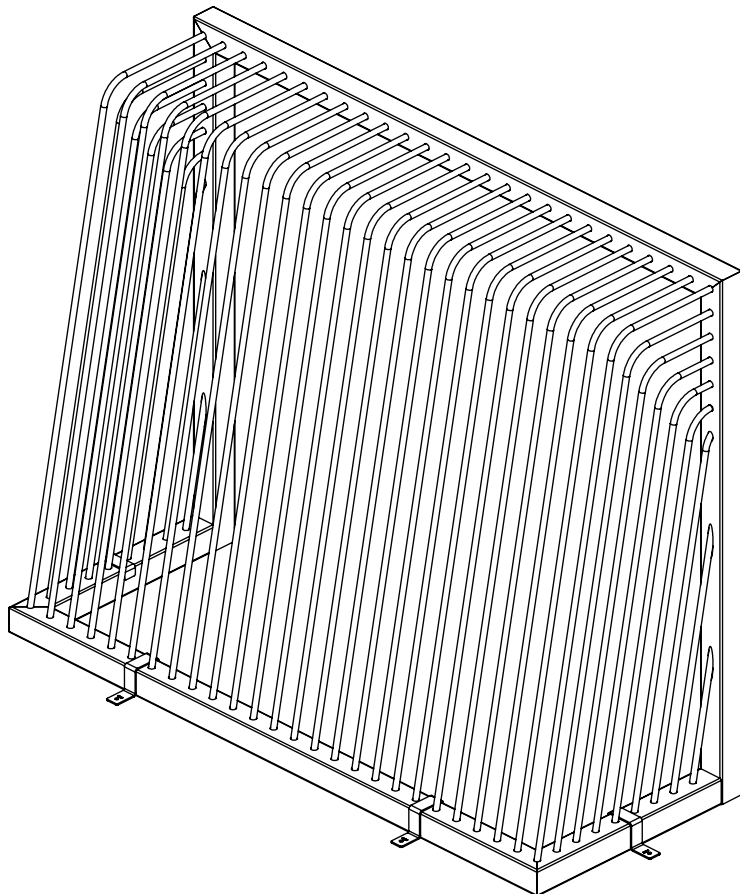
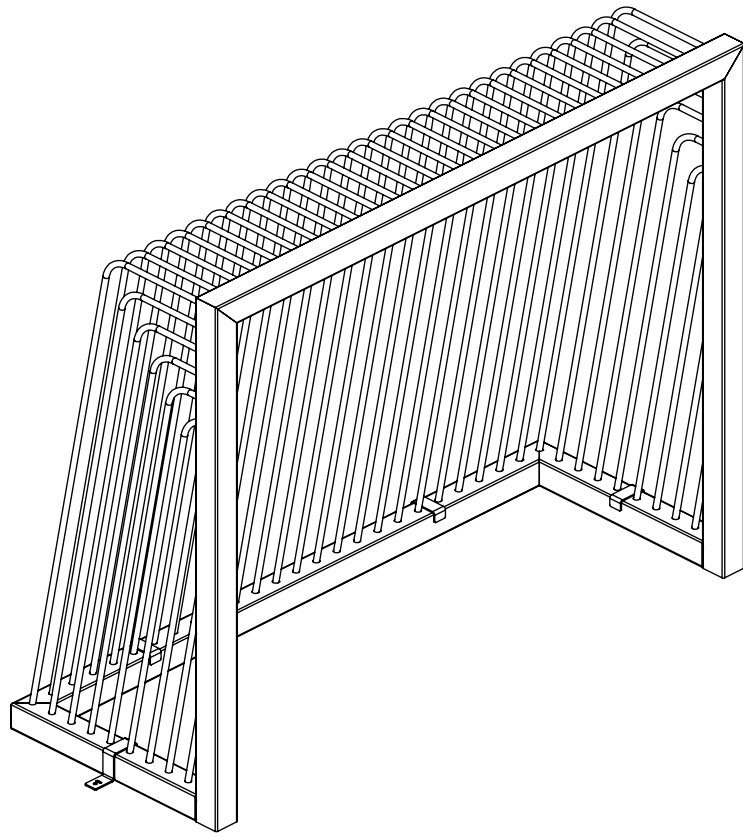
2026



v011
16.10.2020
A. P.
[cm]



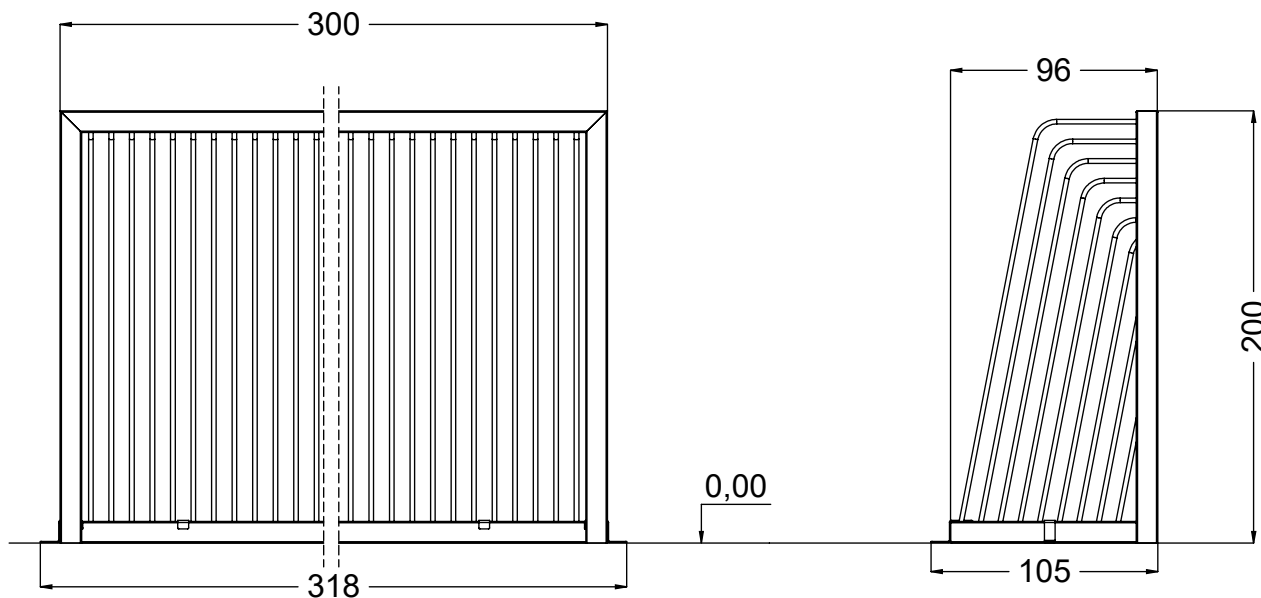
vinci
play



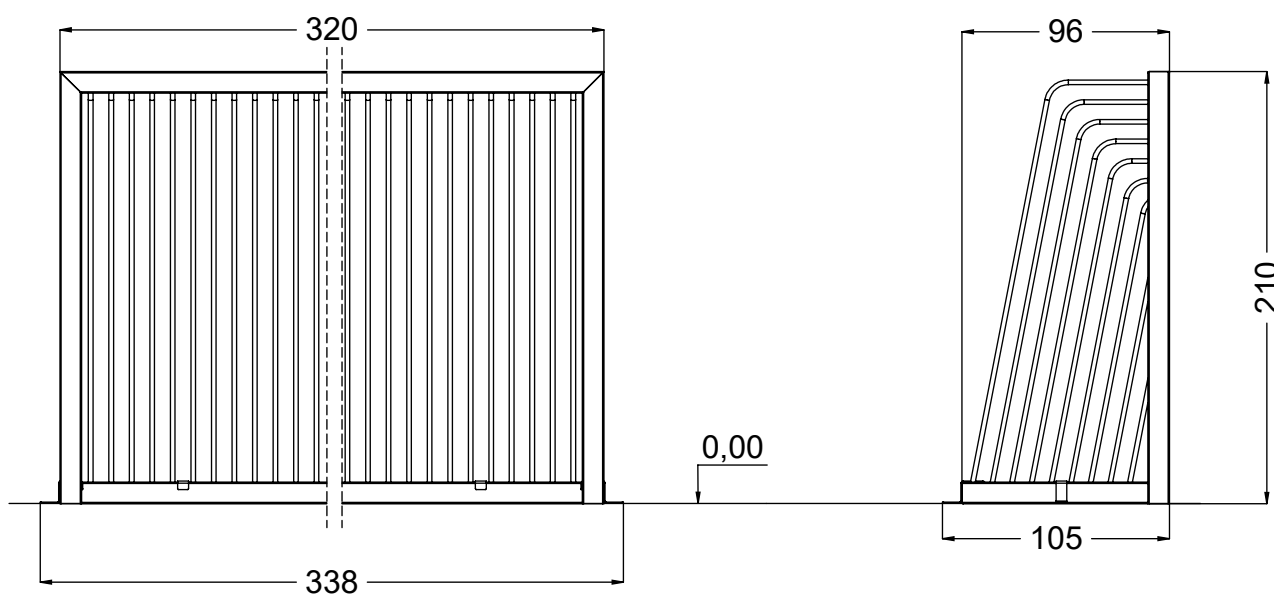
[cm]

vinci
play

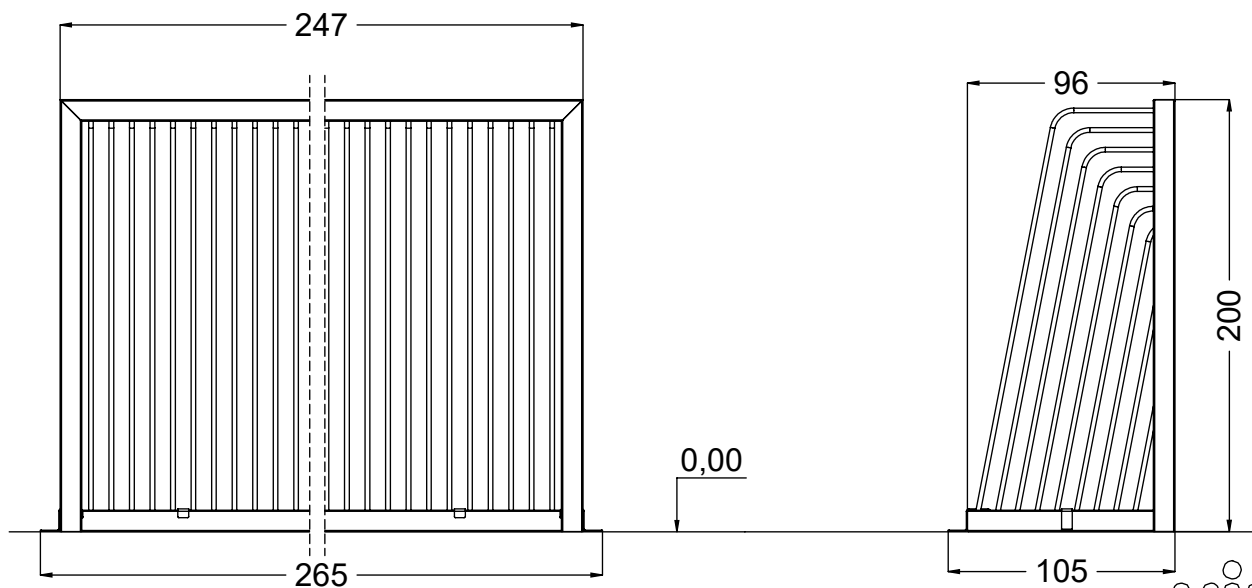
2020



2021



2022

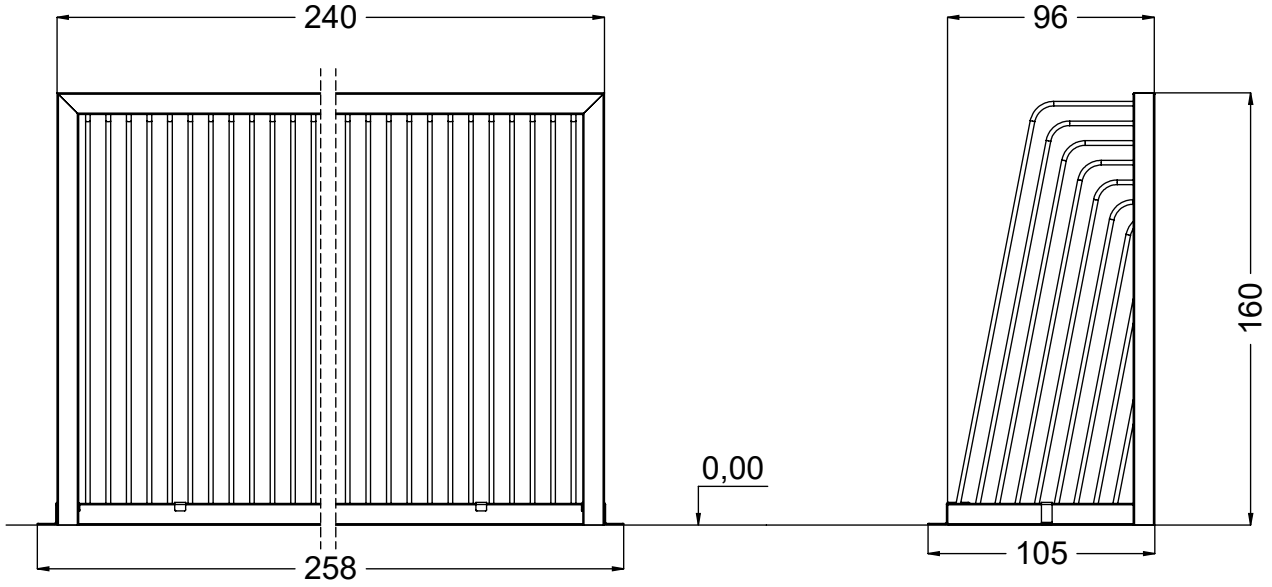


[cm]

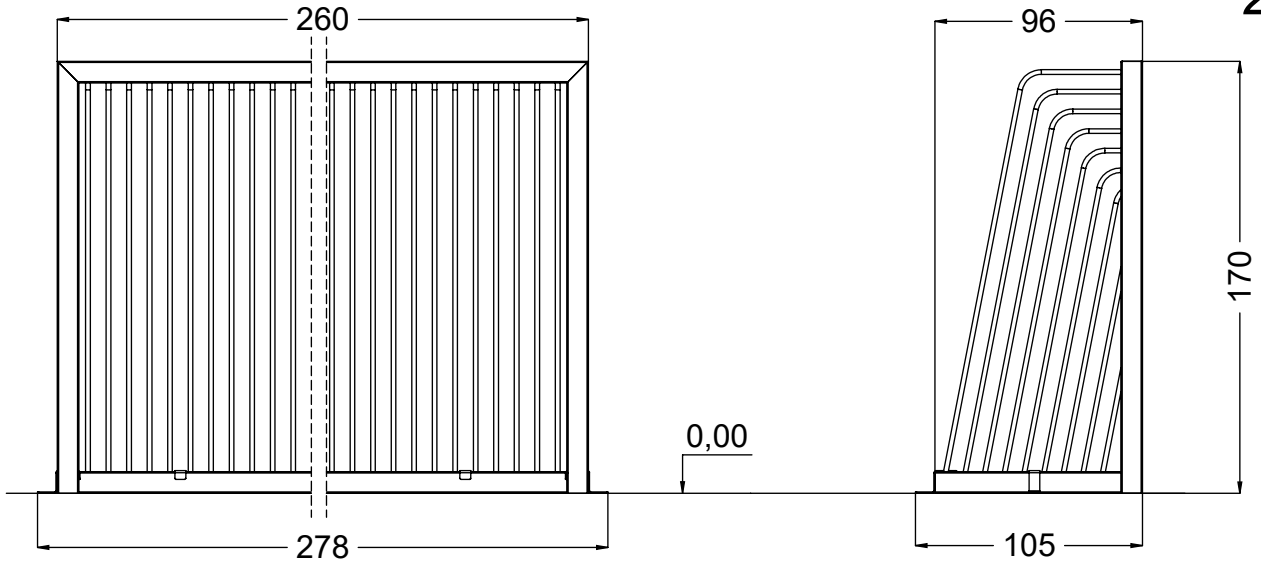


vinci
play

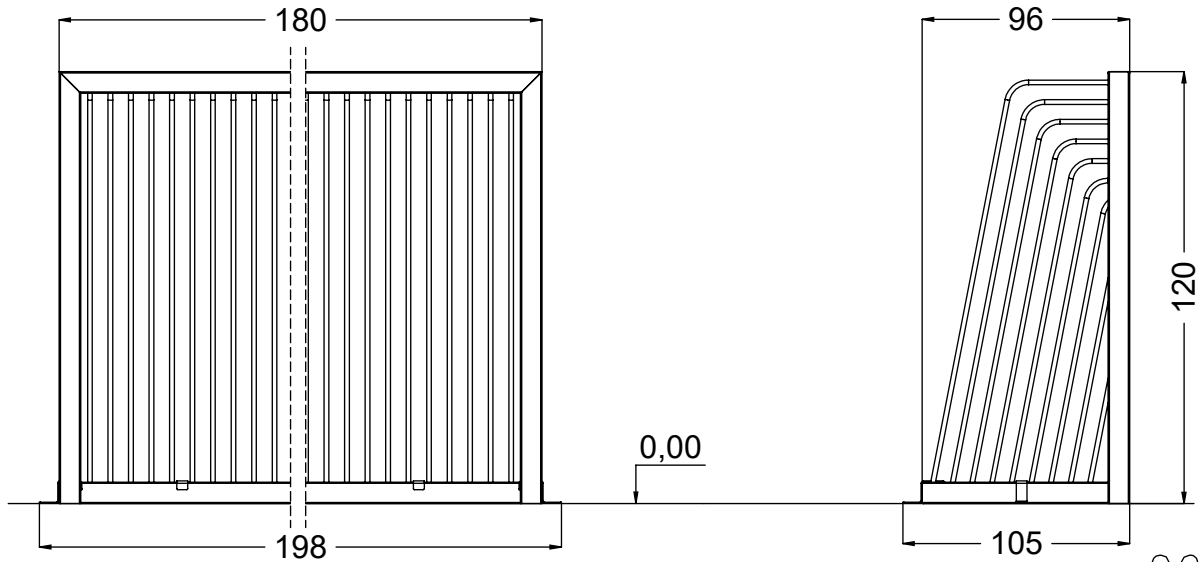
2024



2025



2026

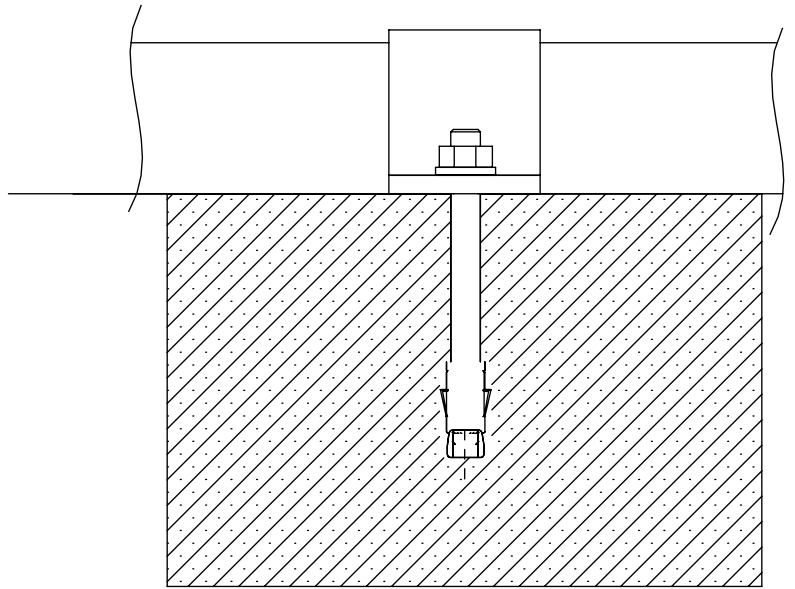
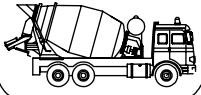


[cm]



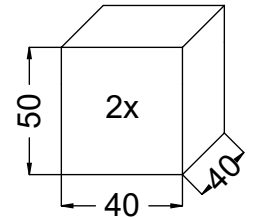
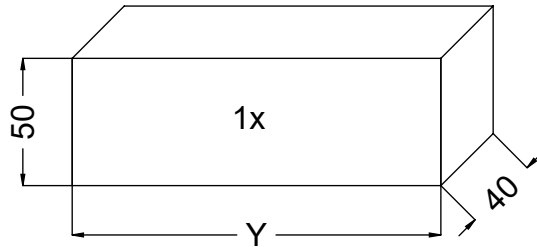
vinci
play

48h

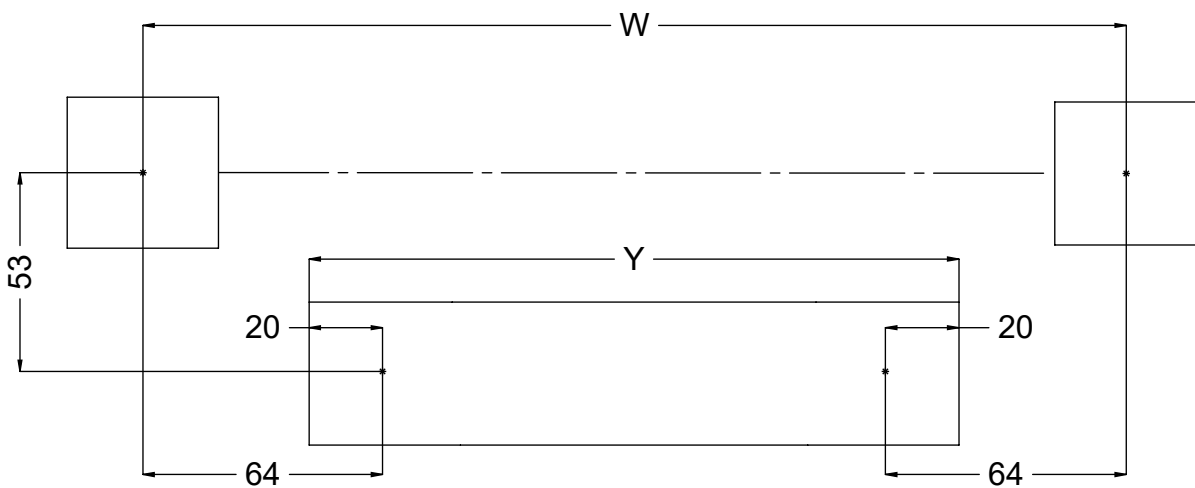


M12 x4

NOT INCLUDED



	2020	2021	2022	2024	2025	2026
W	313	333	260	253	273	193
Y	225	245	172	165	185	105



1x	Z5
1x	V002

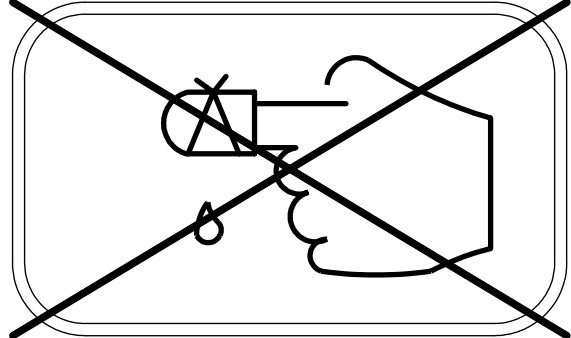
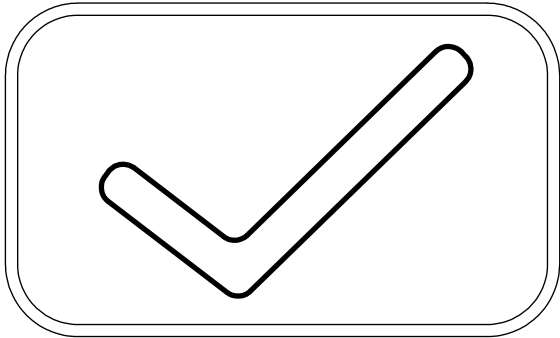
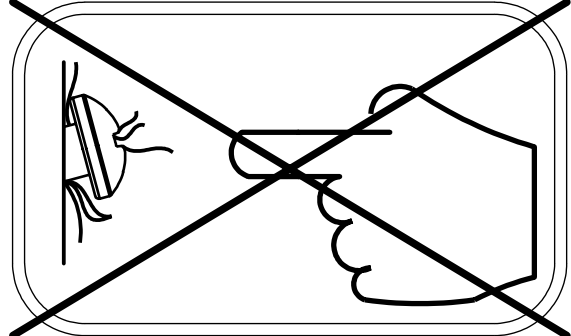
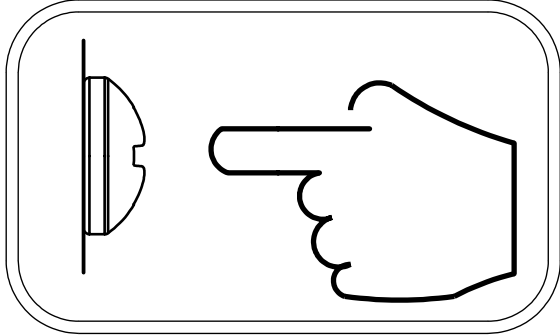
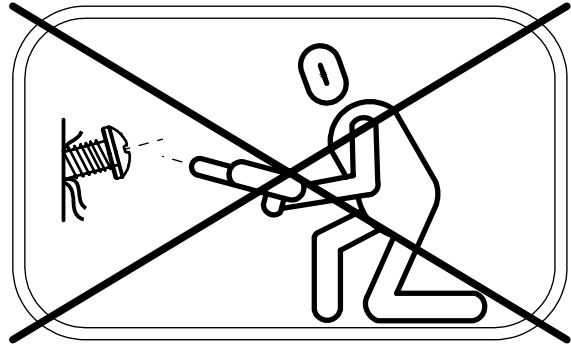
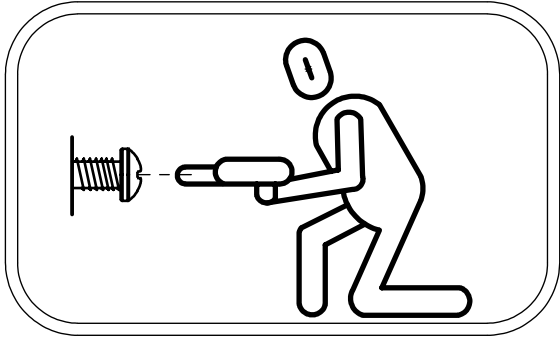
[cm]

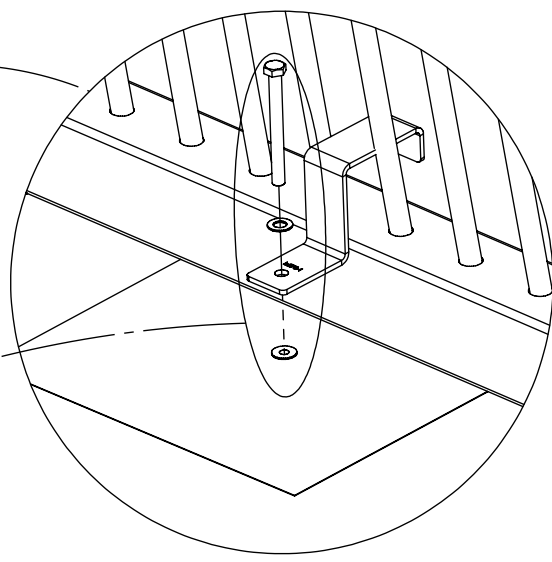
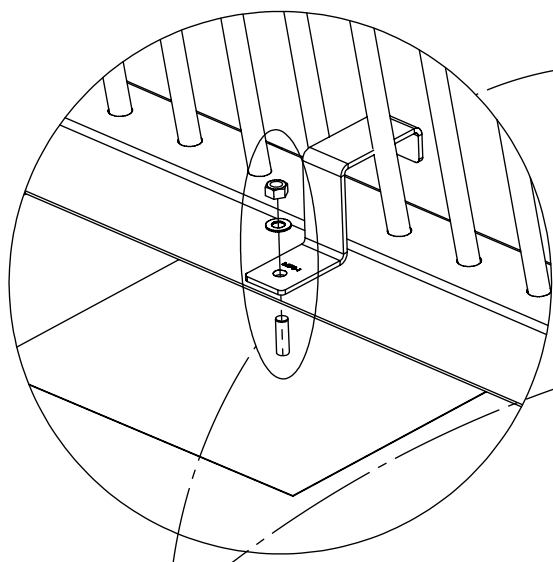
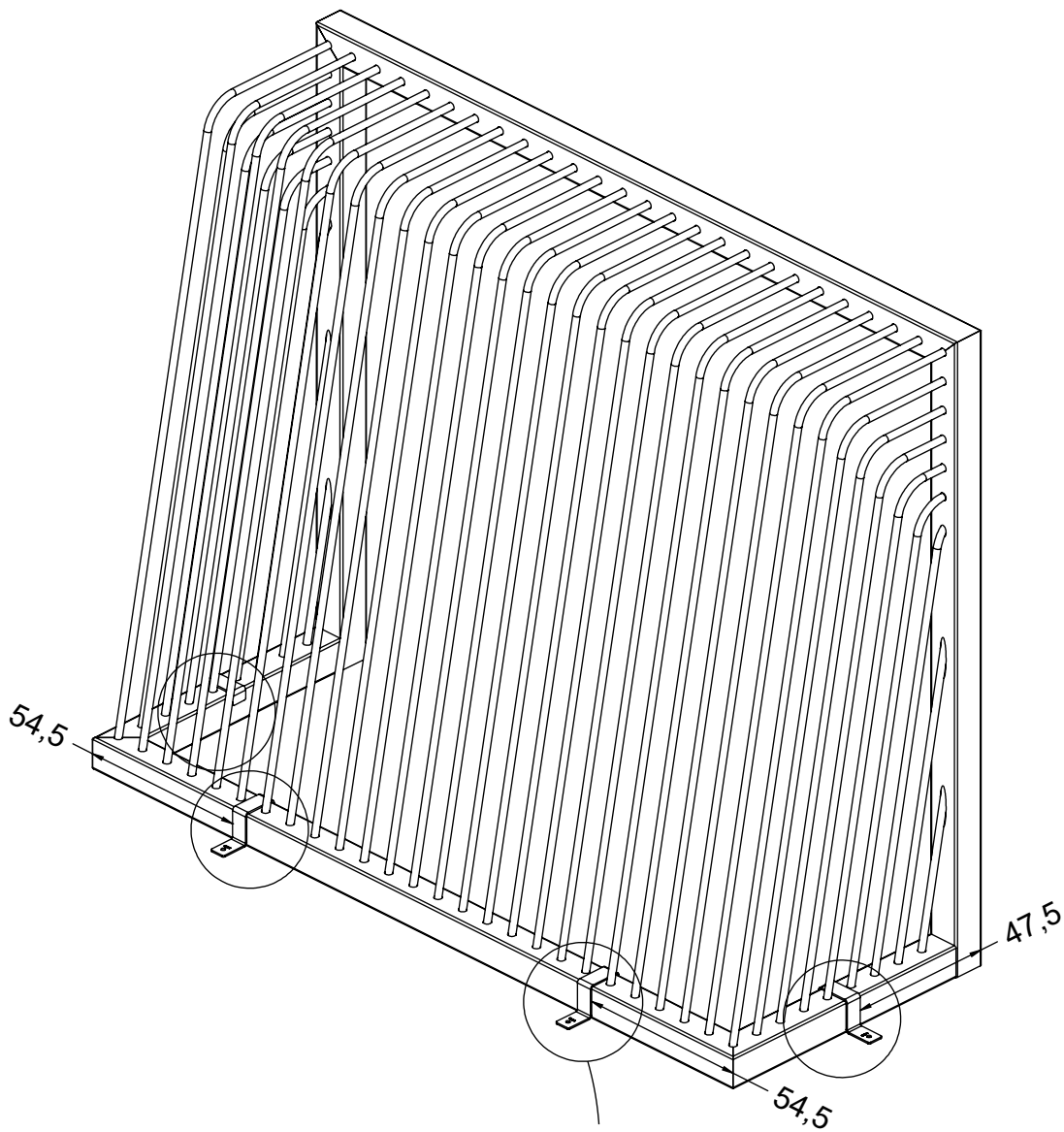


1h





vinci
play



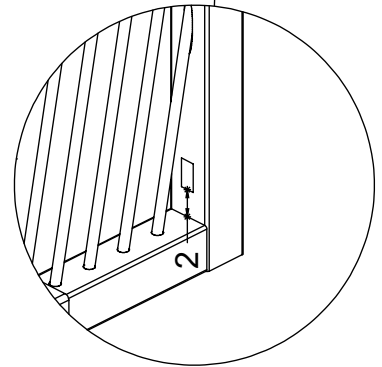
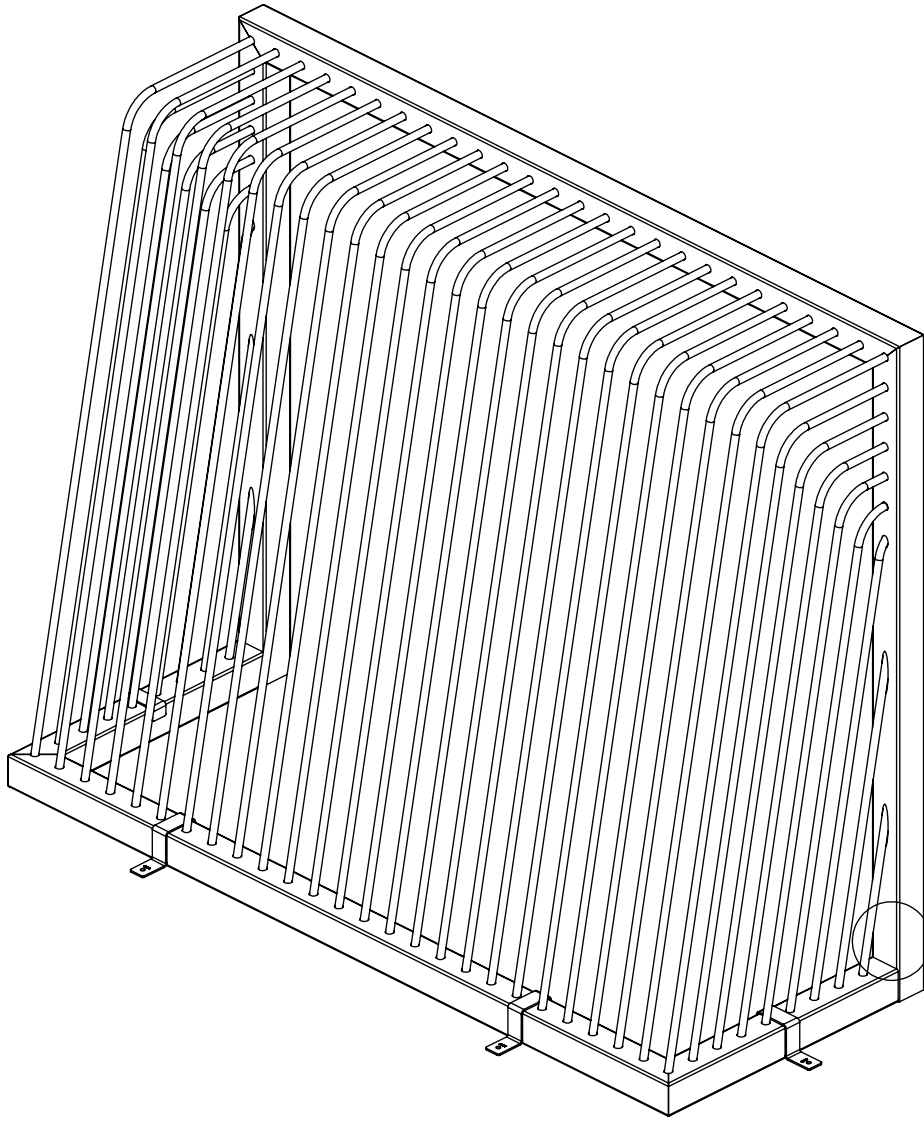


1x Z5

M12 x4

NOT INCLUDED 

[cm]

vinci
play



‰

vinci play
Art. Nr.
—
202
EN 1178-1: 2017

Vinci Group Sp. z o.o.
Polski, ul. Polna 10
00-470 Warszawa
POLAND
+48 22 205 24 00
www.vinci-play.com
www.babyvinci.pl

V002

[cm]

vinci
play