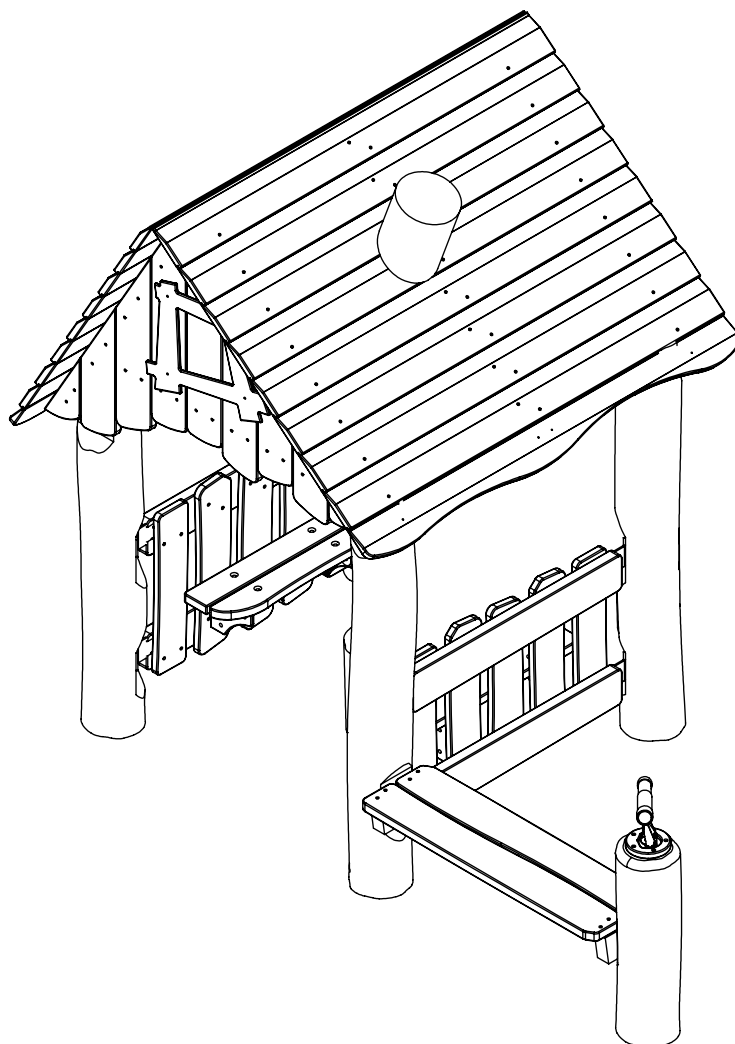
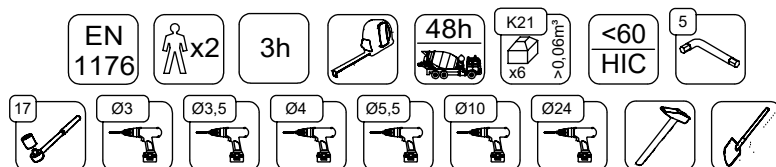


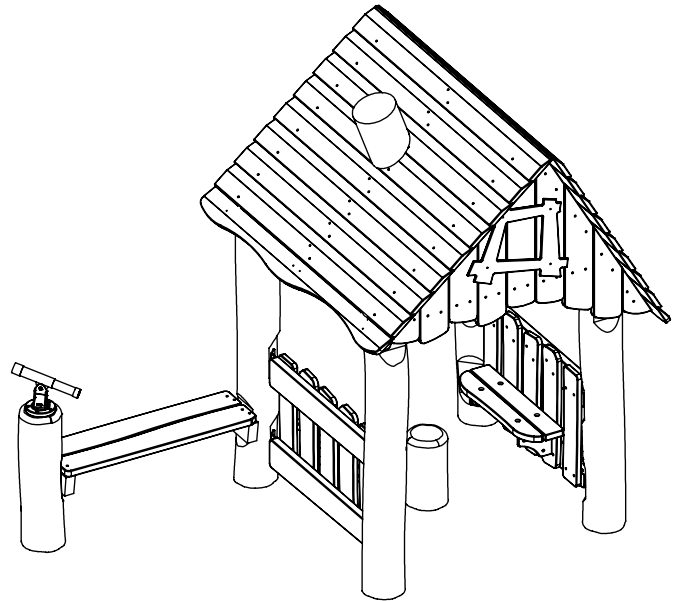
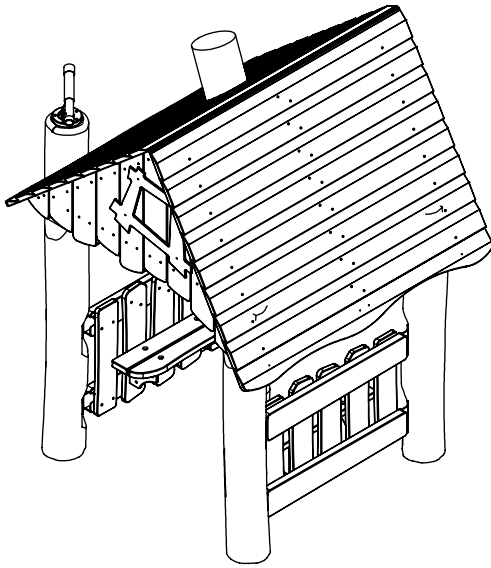
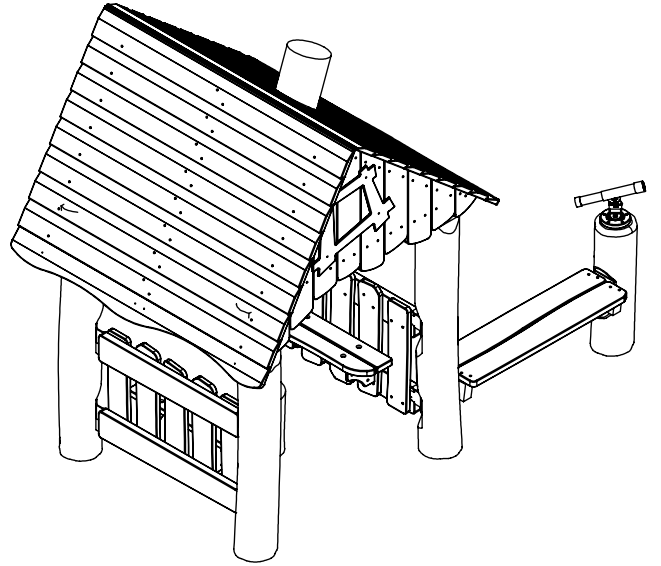
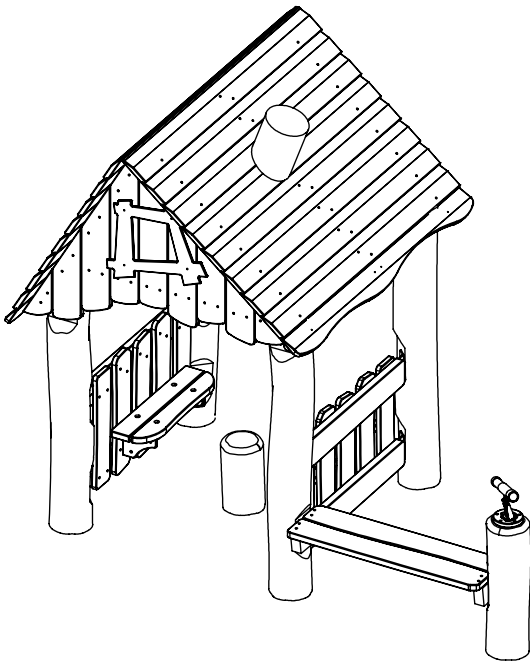
RB1202



v011
15.09.2021
D. P.
[cm]

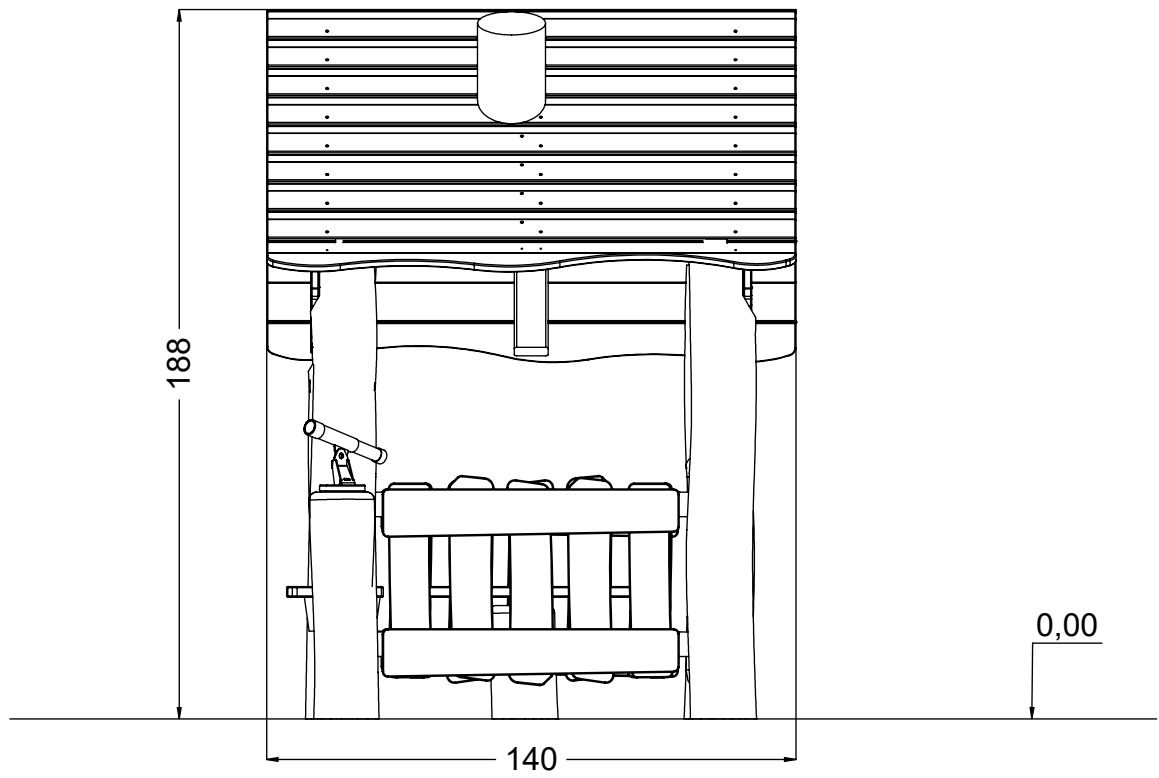
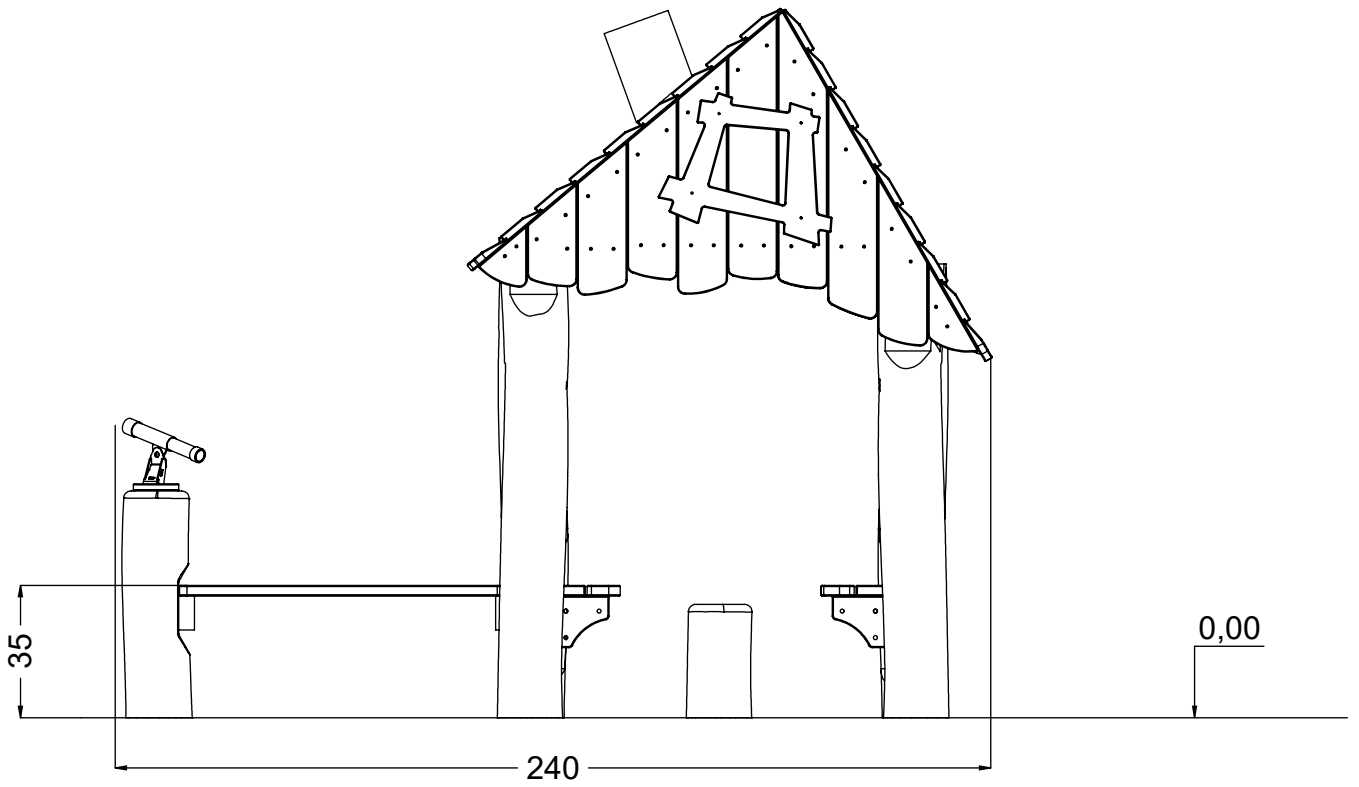


vinci
play



[cm]

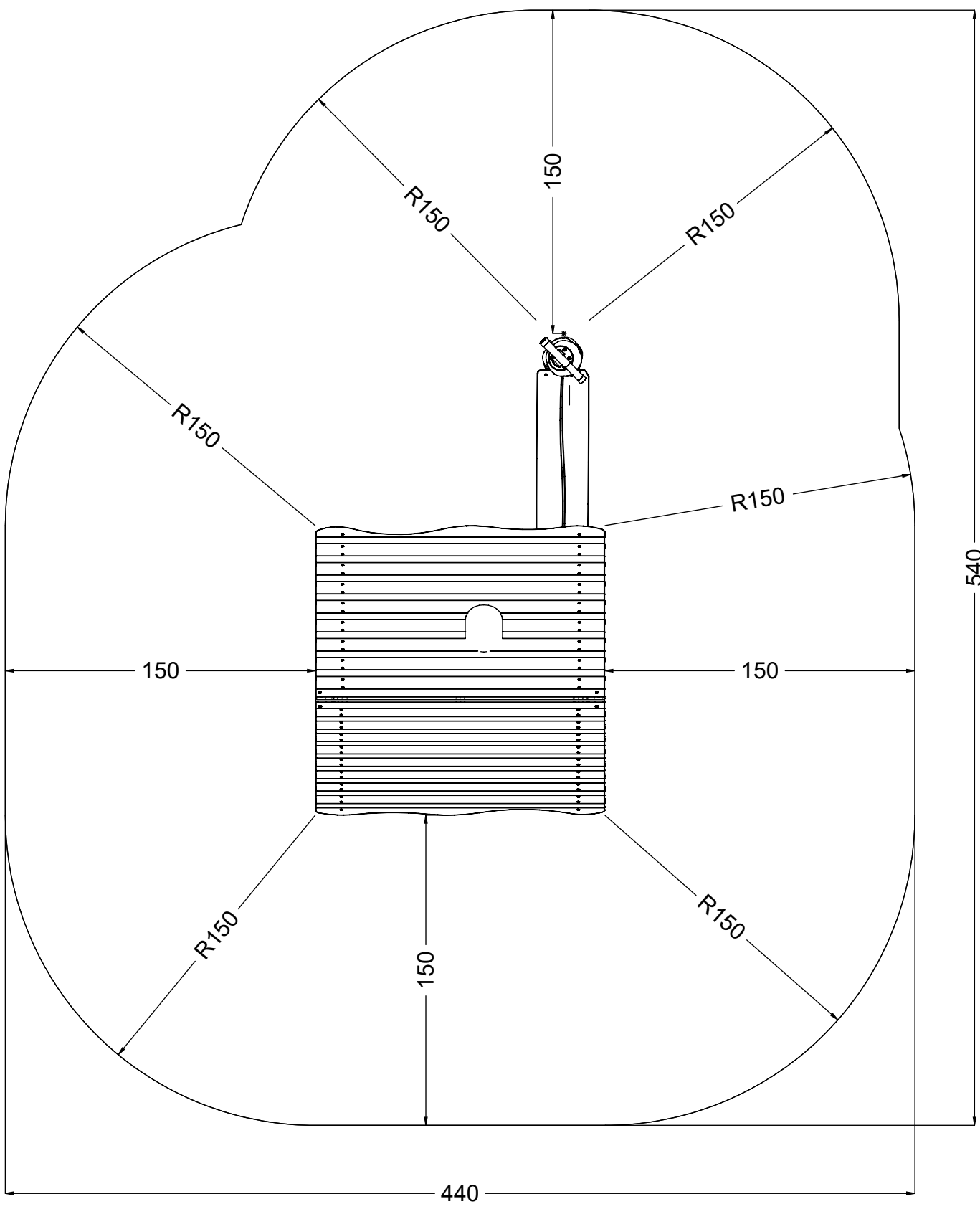
vinci
play



[cm]



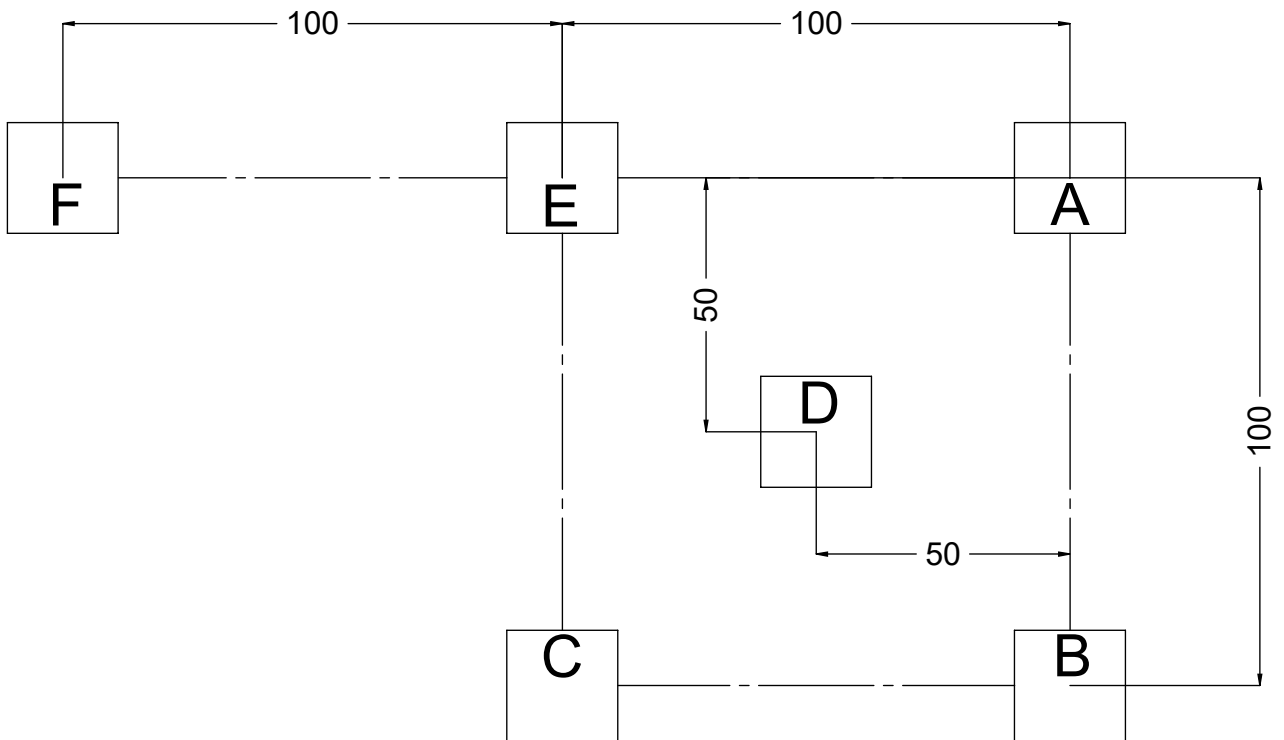
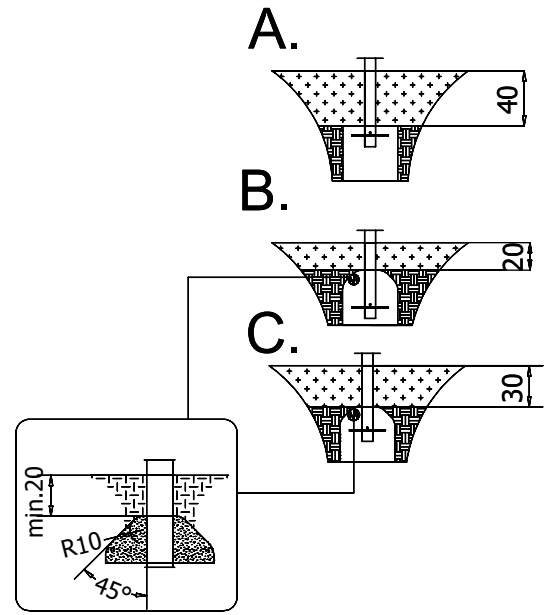
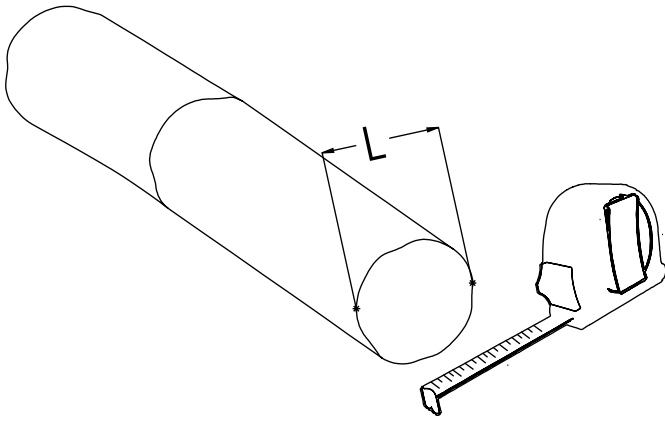
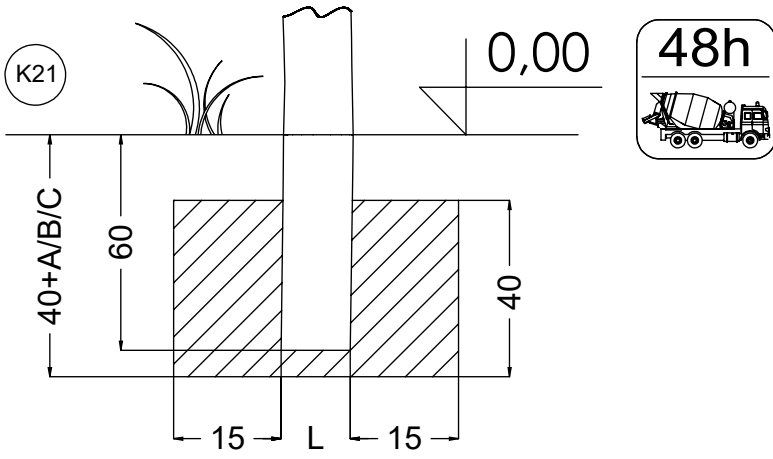
vinci
play



[cm]



vinci
play



[cm]



3h



>0,06m³

vinci
play



127124 A
x1



127125 B
x1



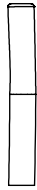
127126 C
x1



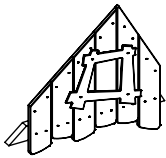
127153 D
x1



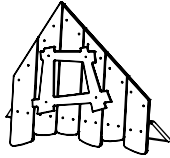
127127 E
x1



127152 F
x1



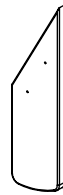
124135
x1



124132
x1



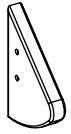
128229
128117
x1



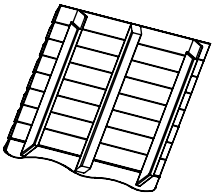
128230
128118
x1



128237
128125
x1



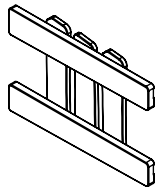
128238
128126
x1



124133
x2



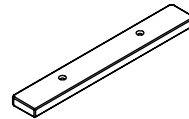
128172
x1



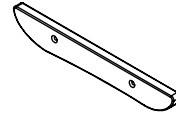
124111
x2



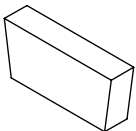
128194
x4



128102
x2



128106
x2



128154
x2



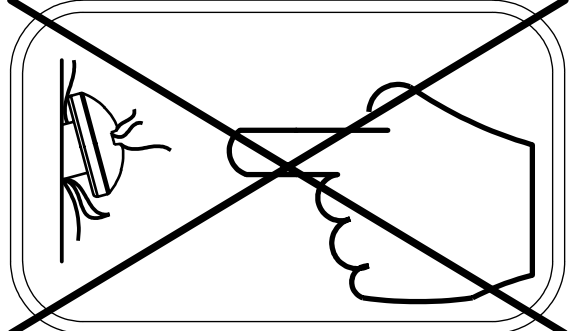
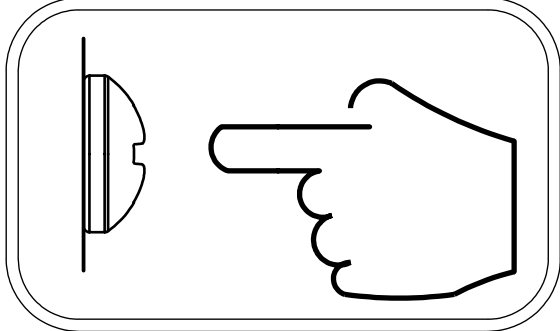
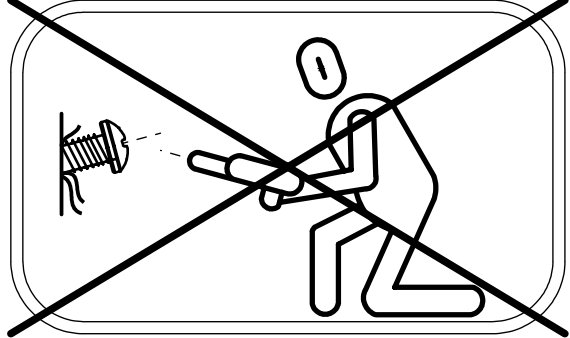
128153
x2

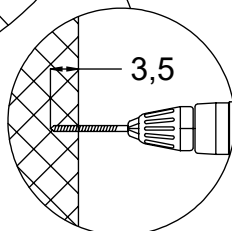
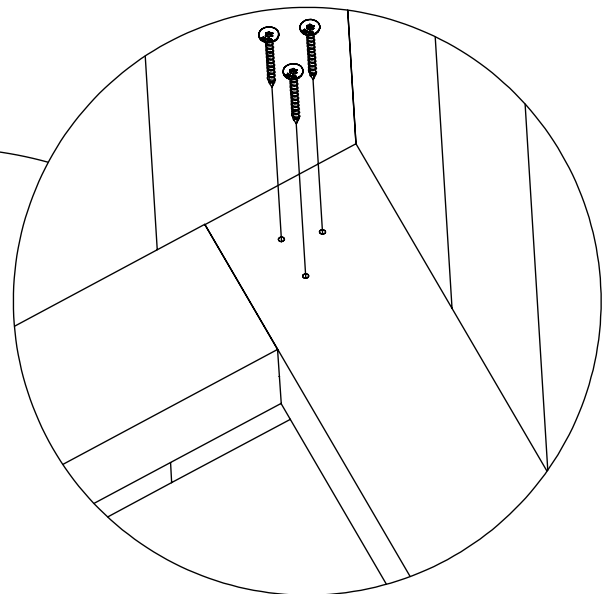
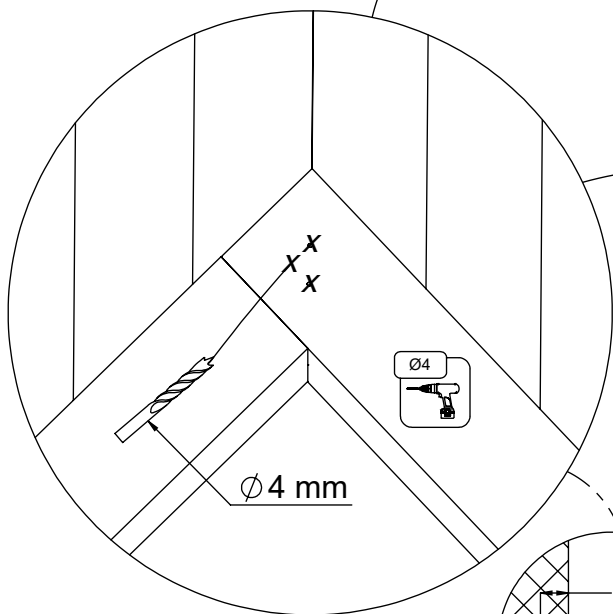
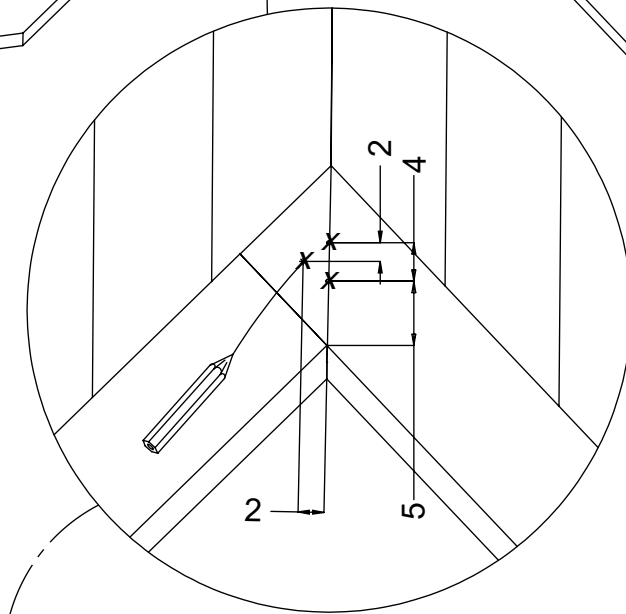
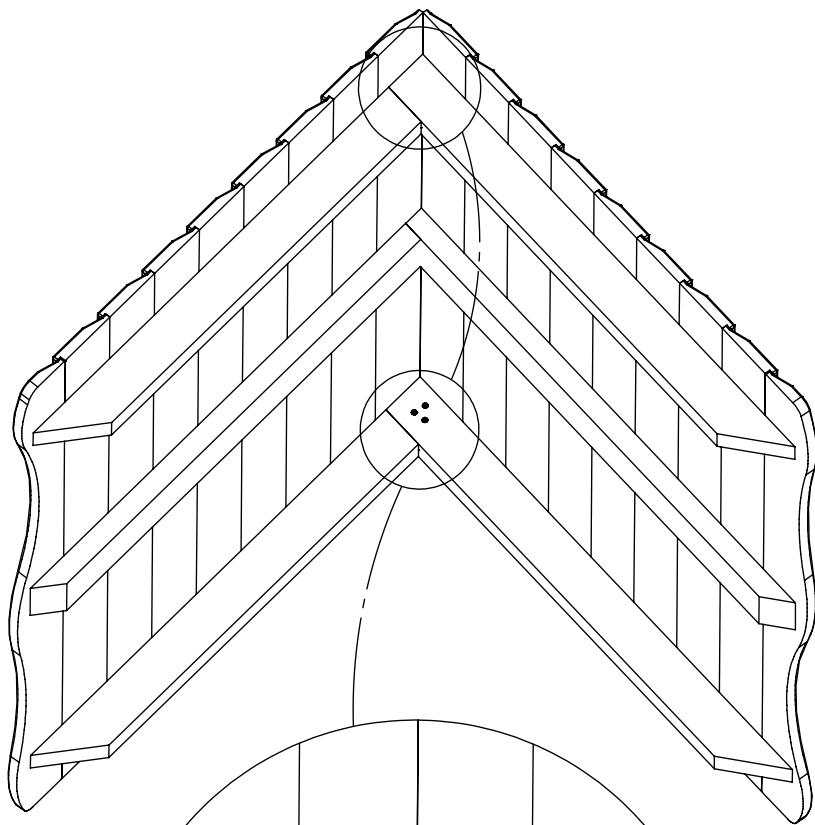


124116
x1

6x	7x35sxi
58x	5x50sxs
20x	5x80sxs
8x	8x80sxt
20x	8x50sxi
24x	5x30sxs

2x	12e014
8x	b389
1x	V001



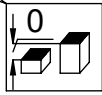
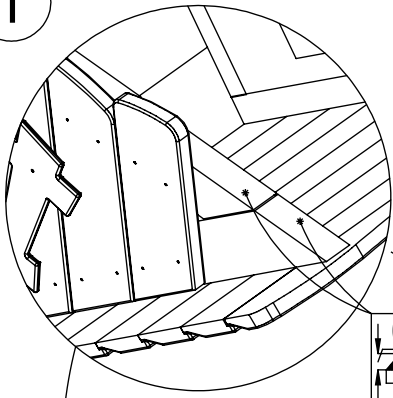


6x 7x35 sxi

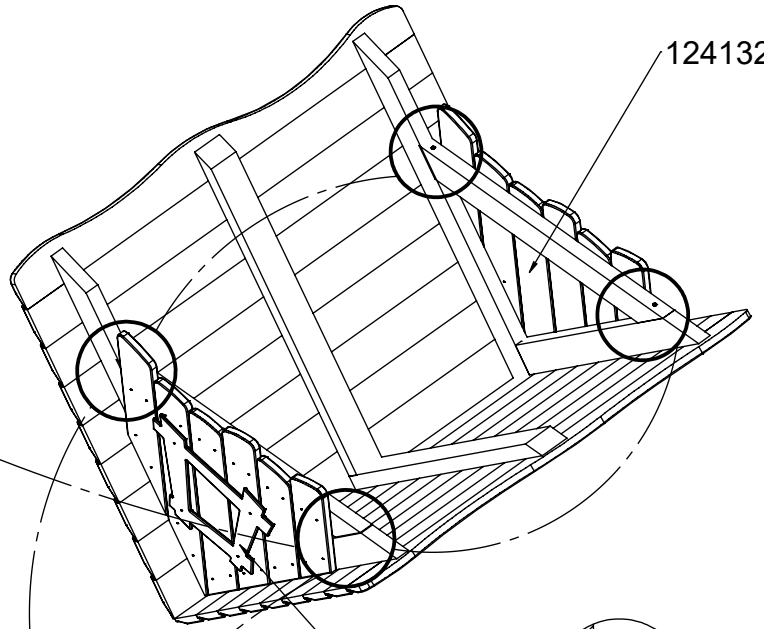
[cm]

vinci
play

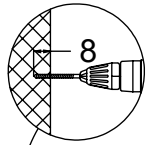
1



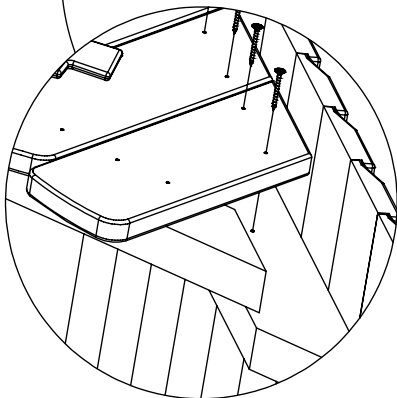
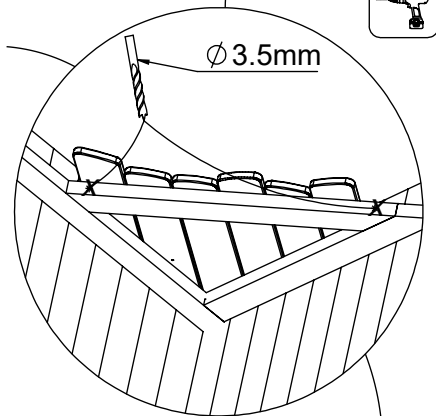
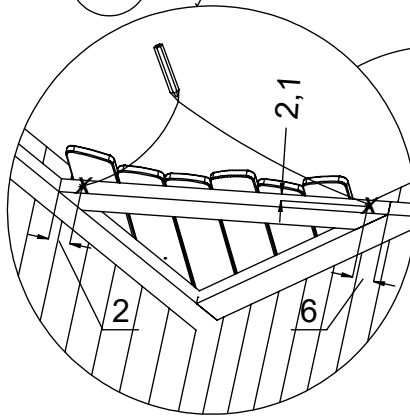
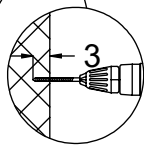
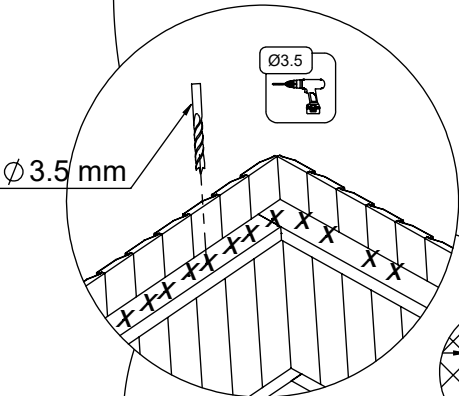
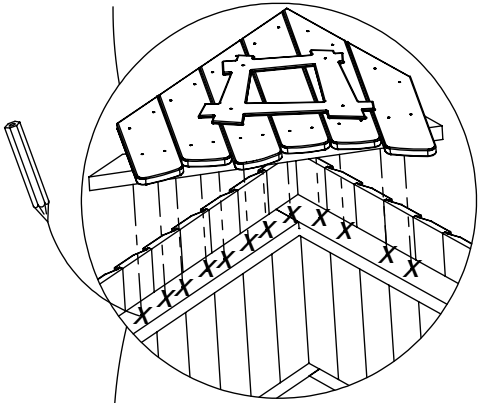
124132



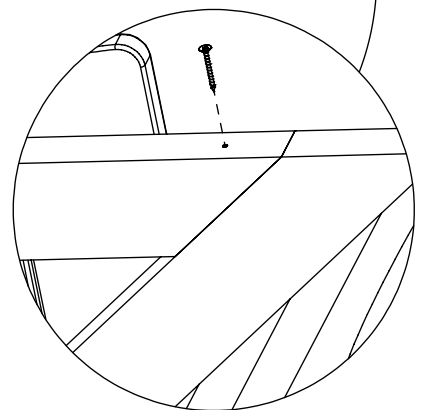
124135



2



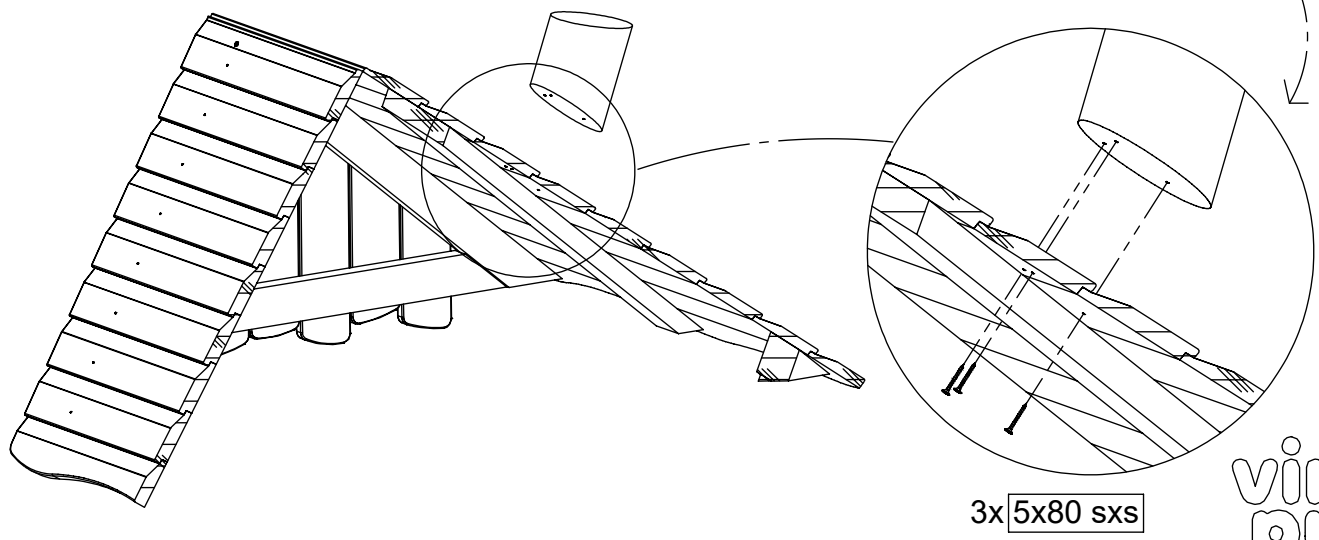
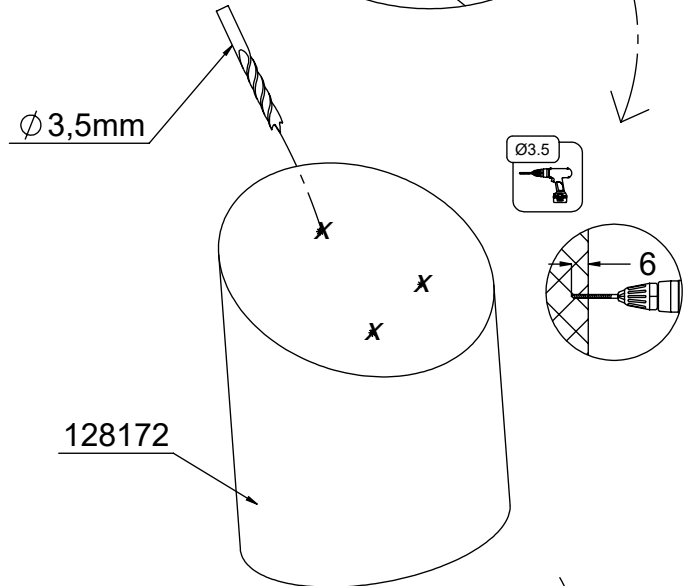
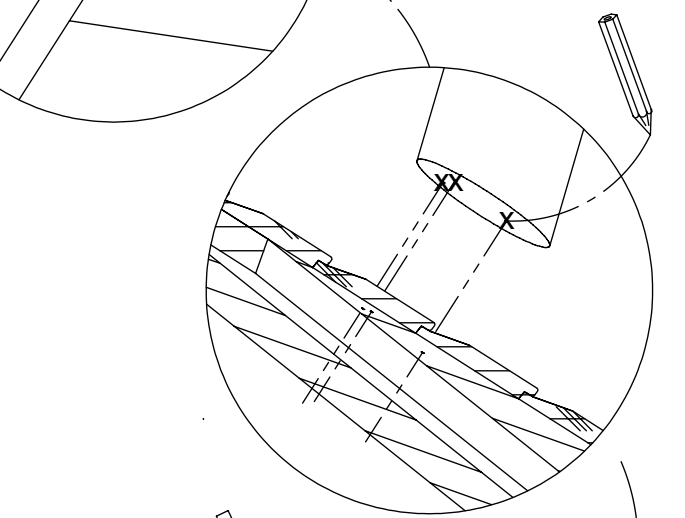
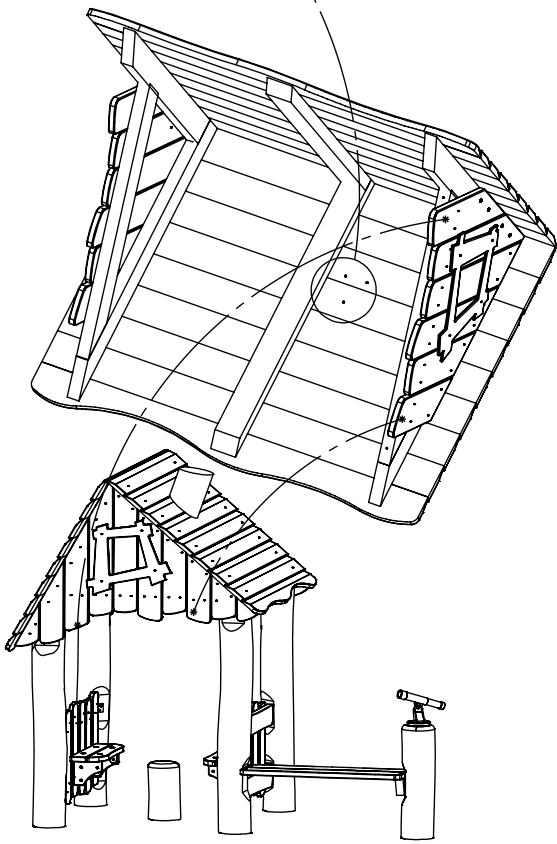
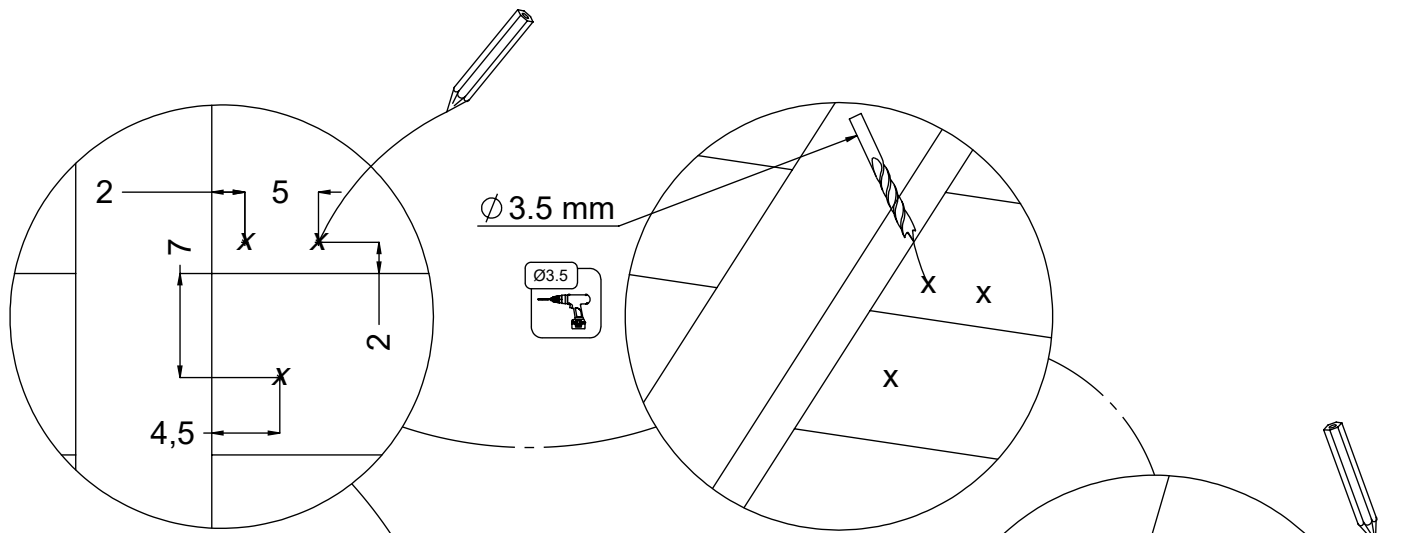
24x 5x50sxs



4x 5x80sxs

[cm]

vinci play

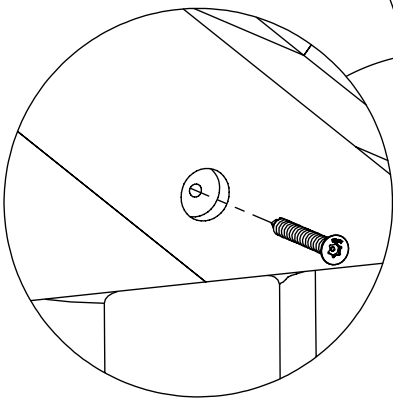
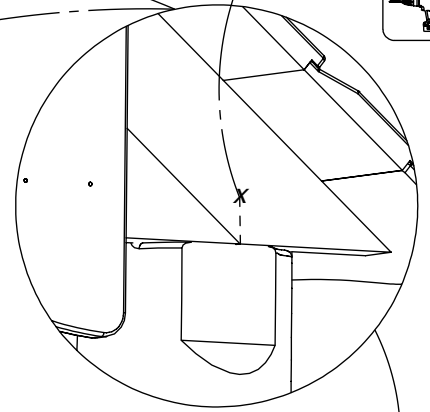
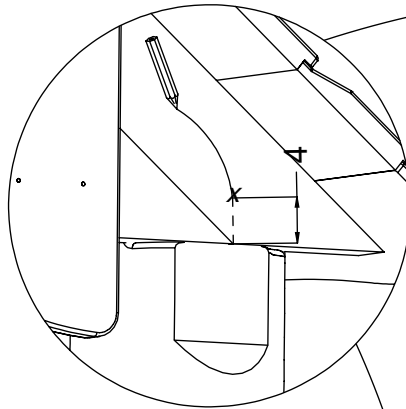
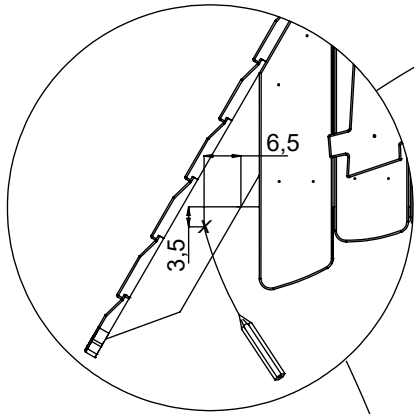


vinci
play

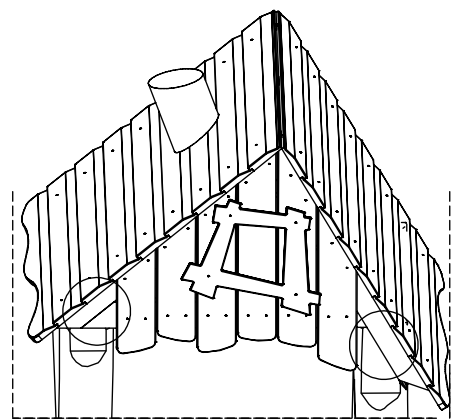
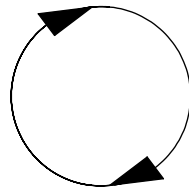
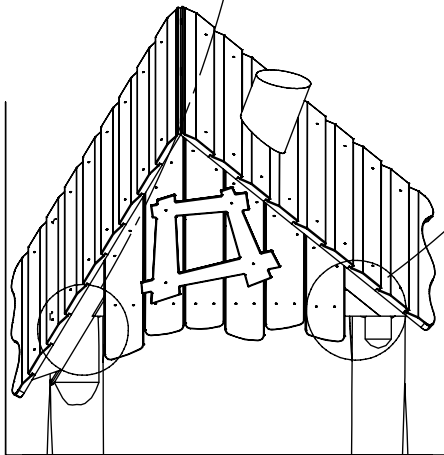
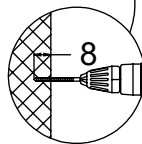
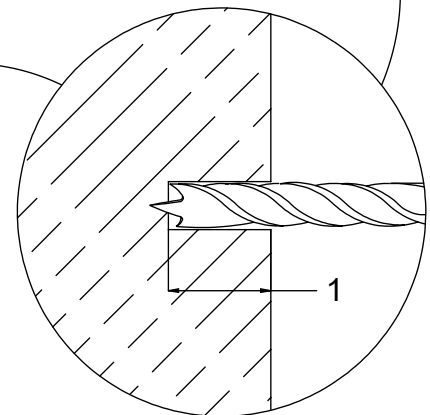
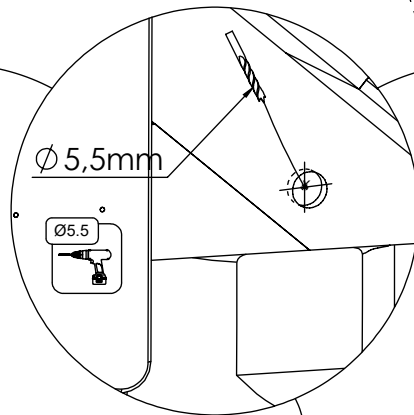
[cm]

Ø 24 mm

Ø24

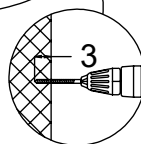
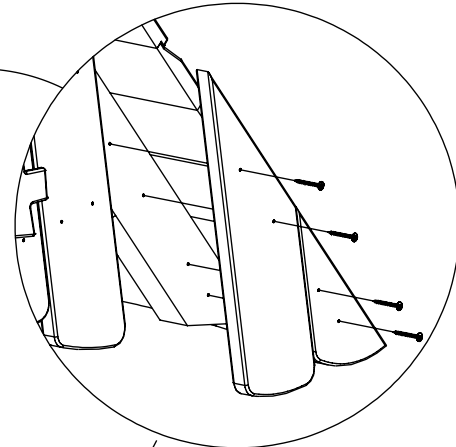
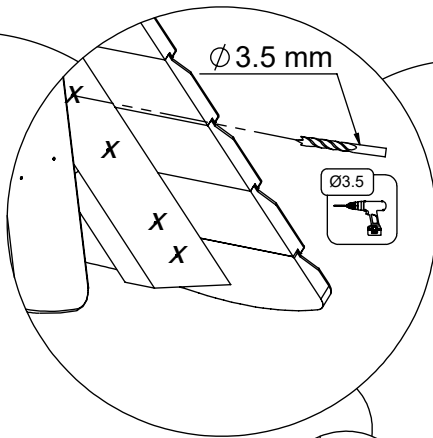
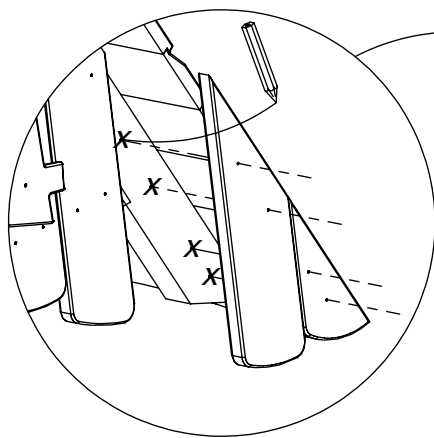


4x 8x80sxt

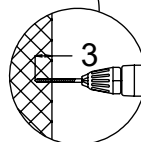
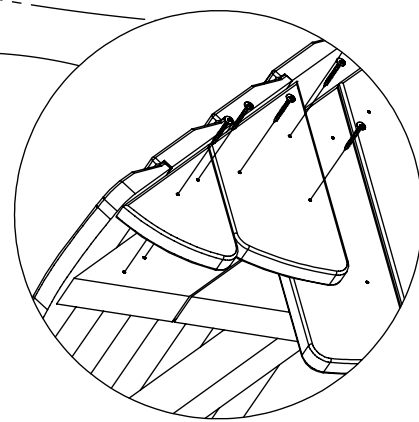
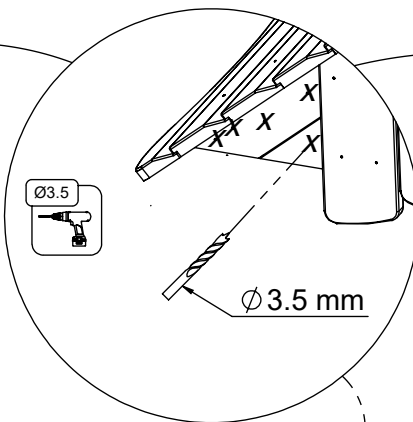
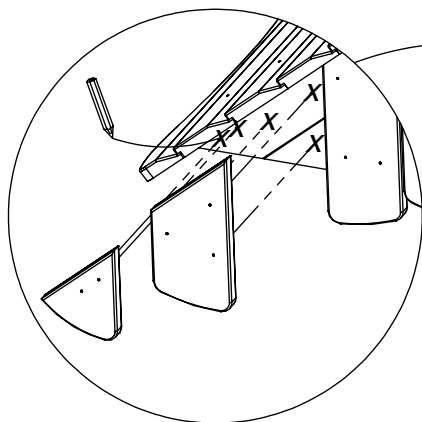
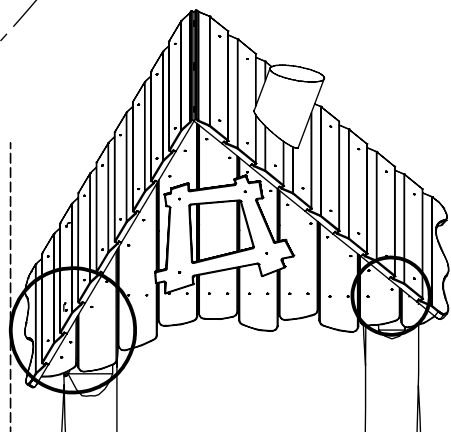
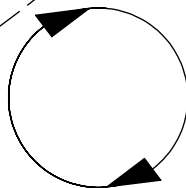
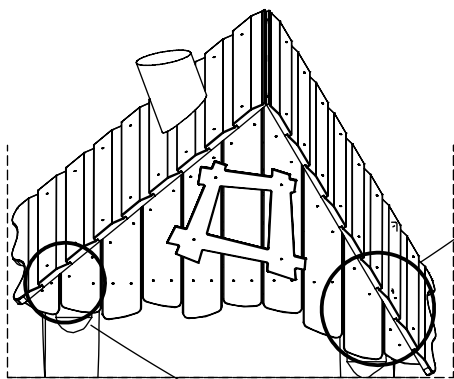


[cm]

vinci play



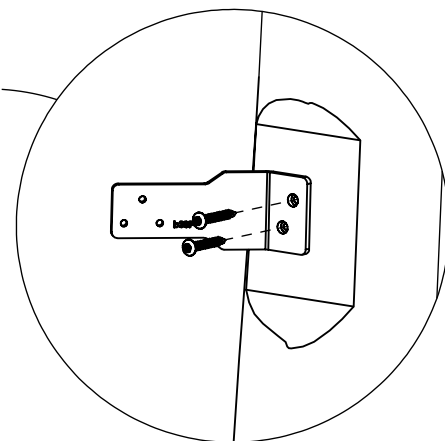
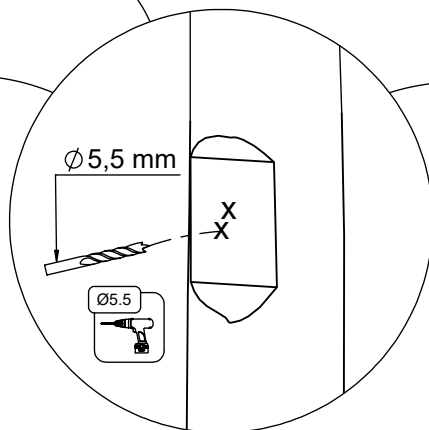
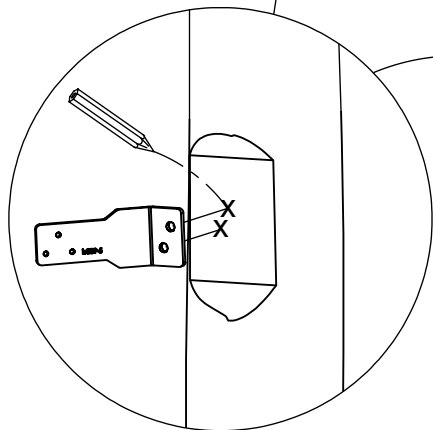
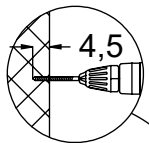
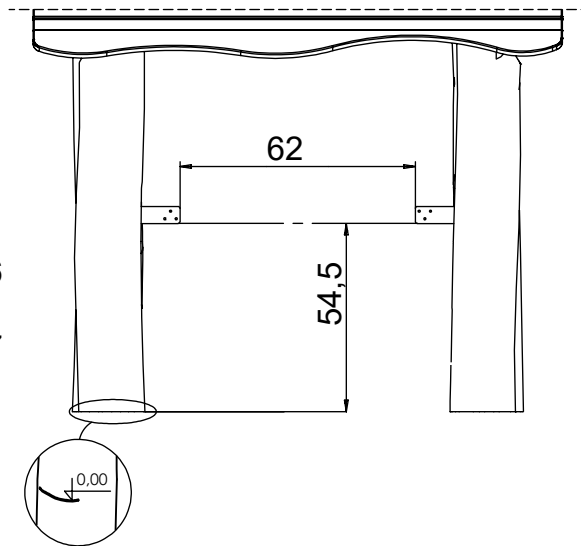
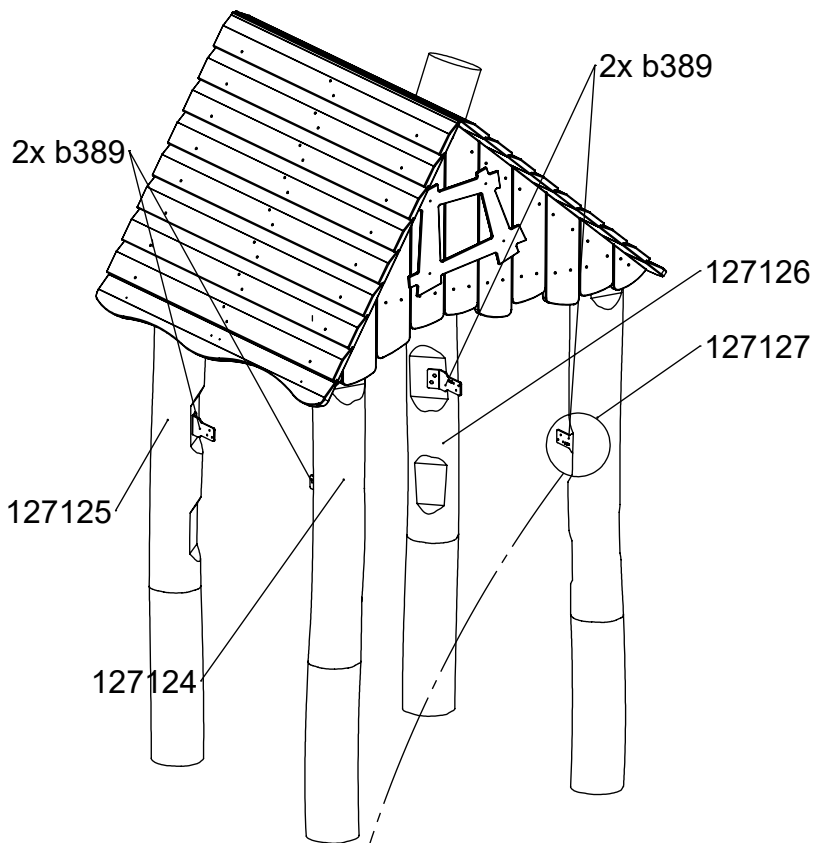
8x 5x50sxs



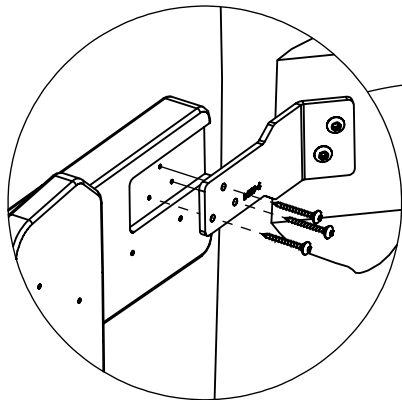
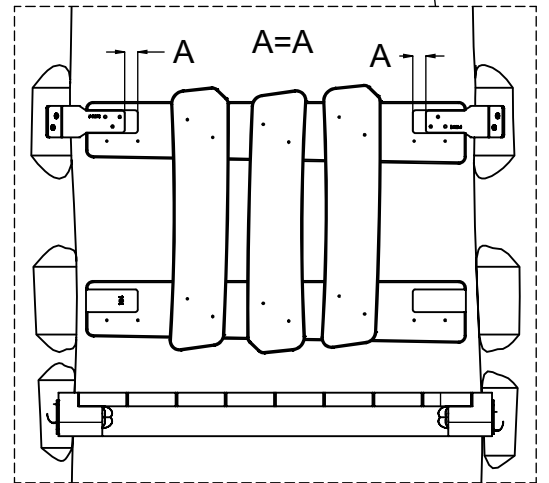
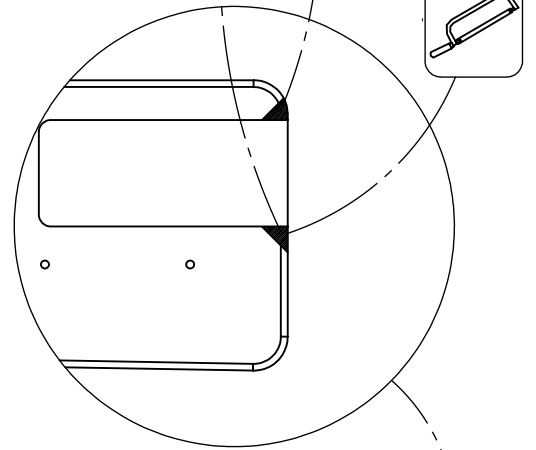
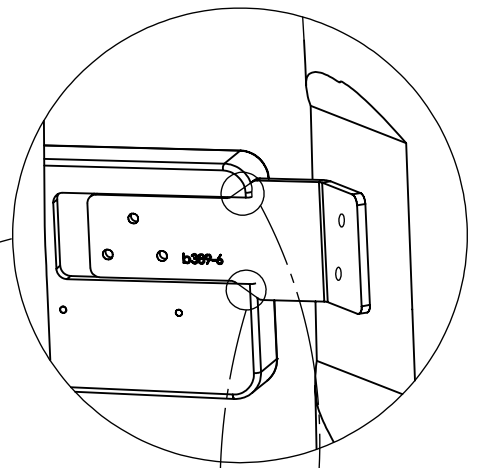
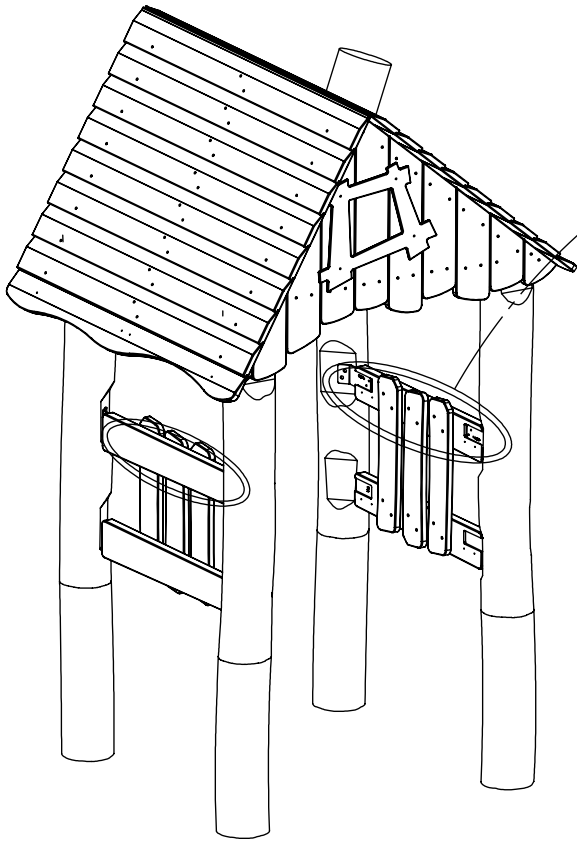
10x 5x50sxs

[cm]

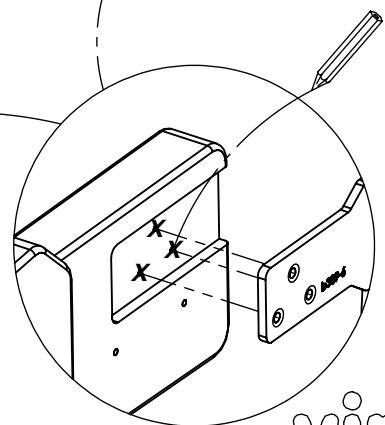
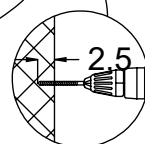
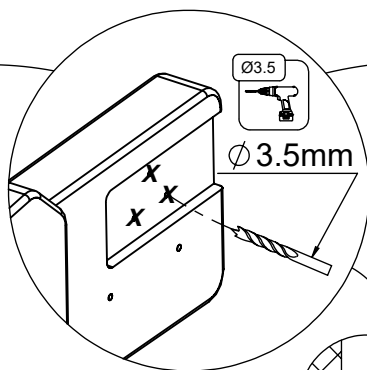
vinci
play



8x 8x50sxi

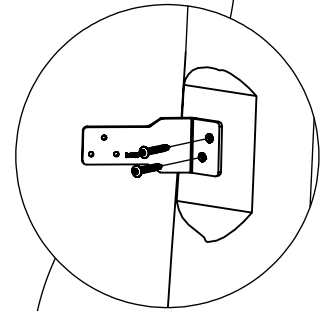
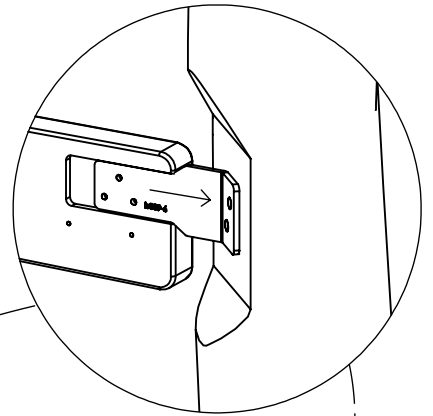
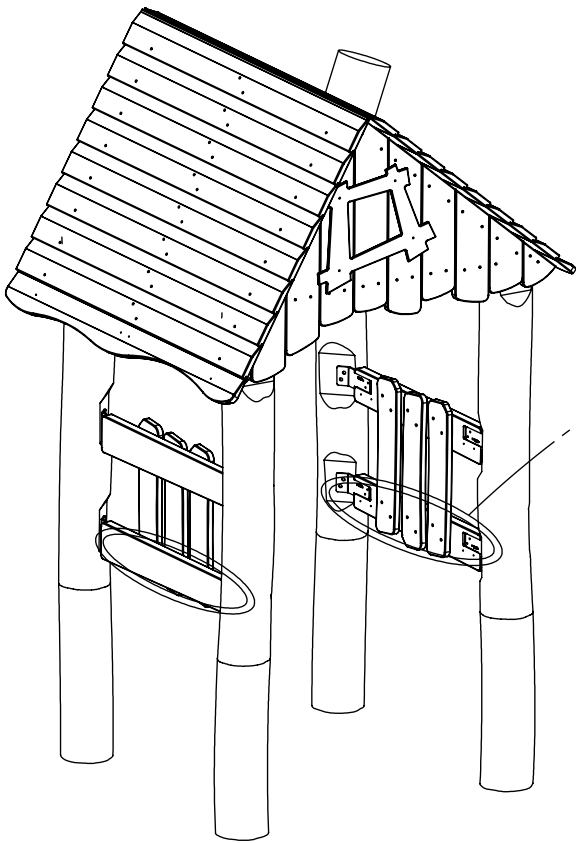


12x 5x30sxs

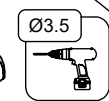
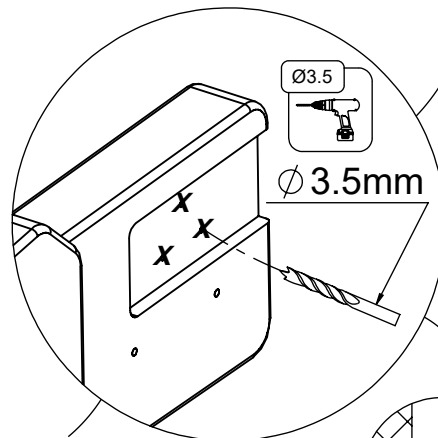
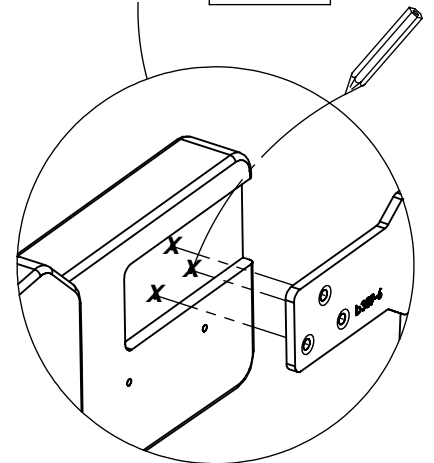


vinci
play

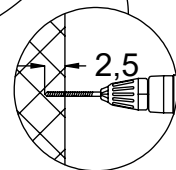
[cm]



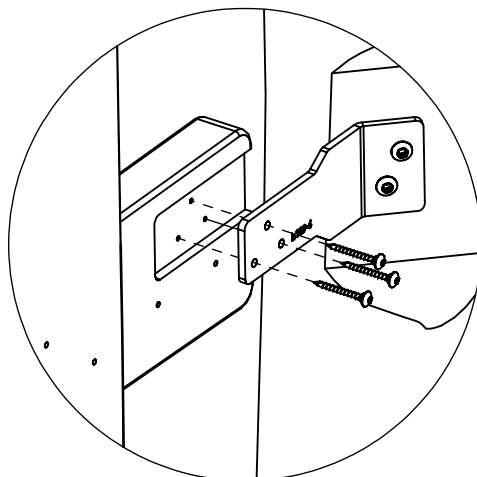
8x 8x50sxi



Ø 3.5mm



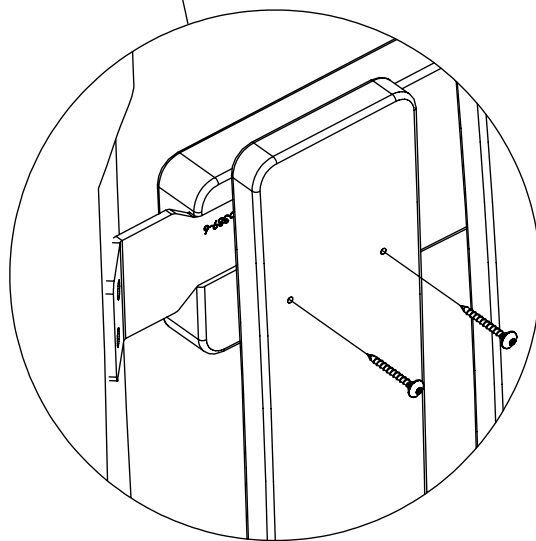
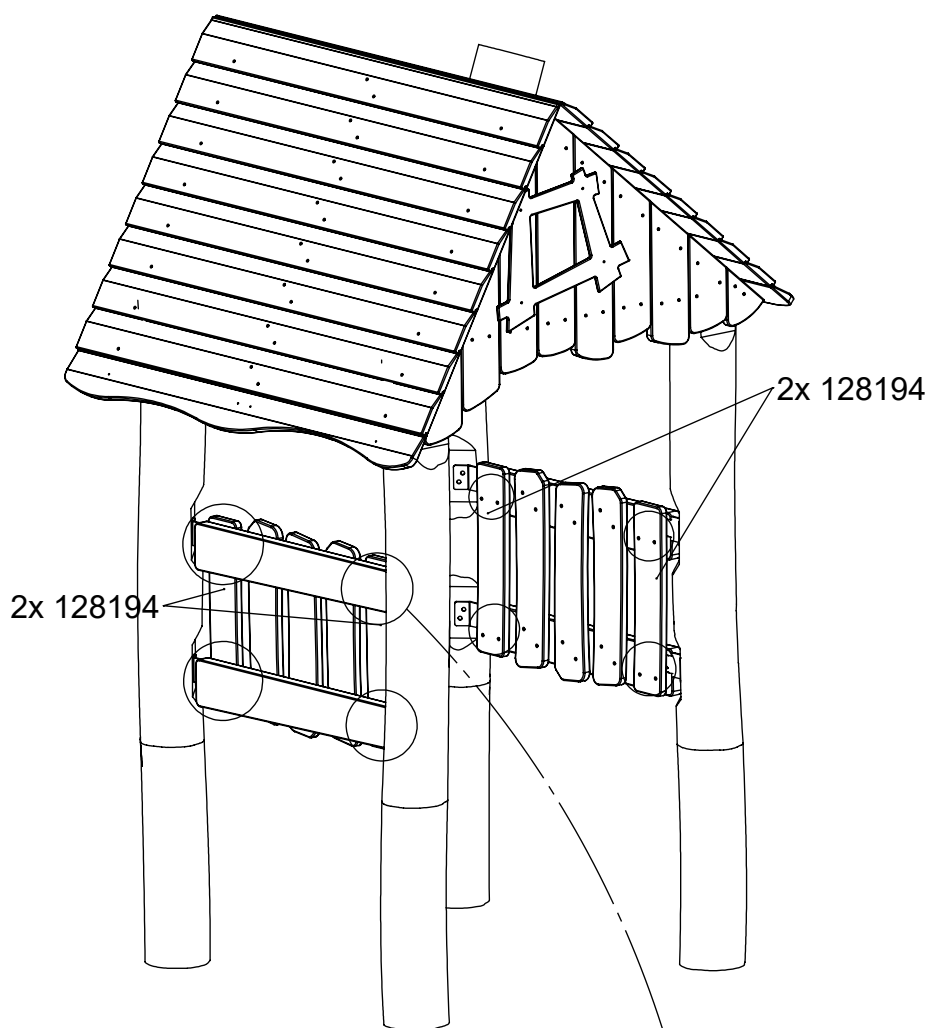
2,5



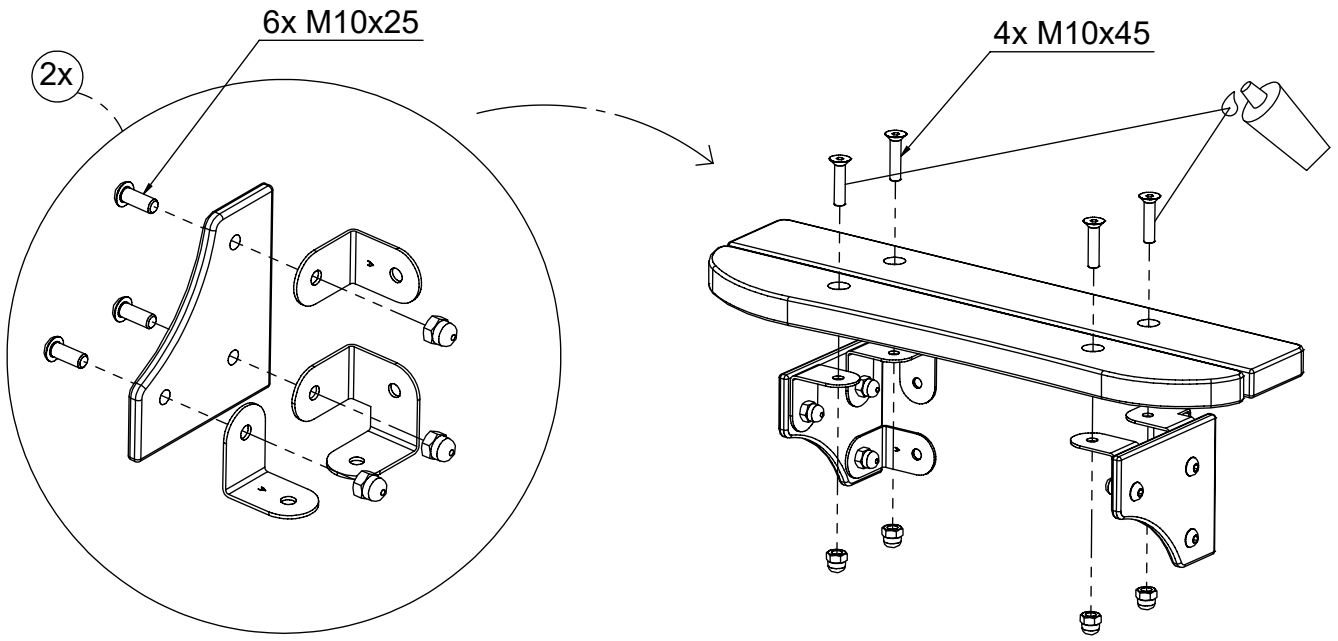
[cm]

12x 5x30sxs

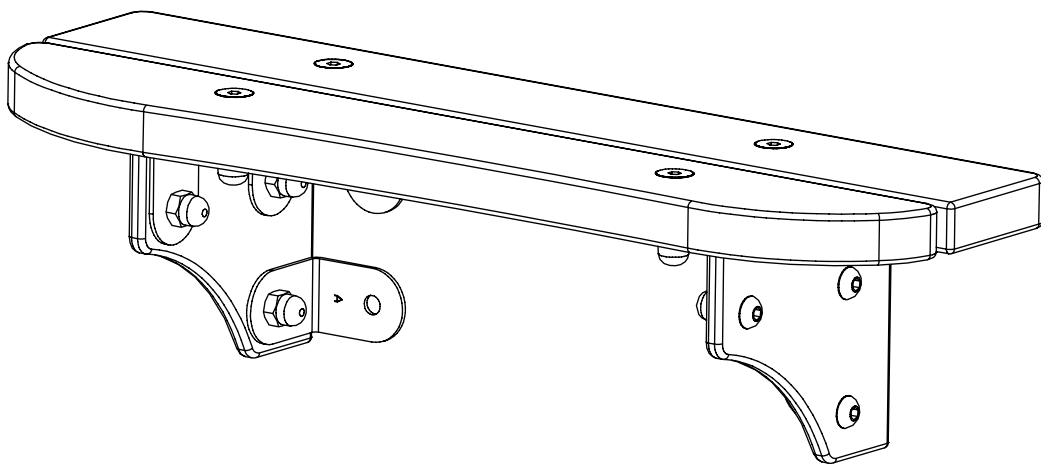
vinci
play



16x 5x50sxs

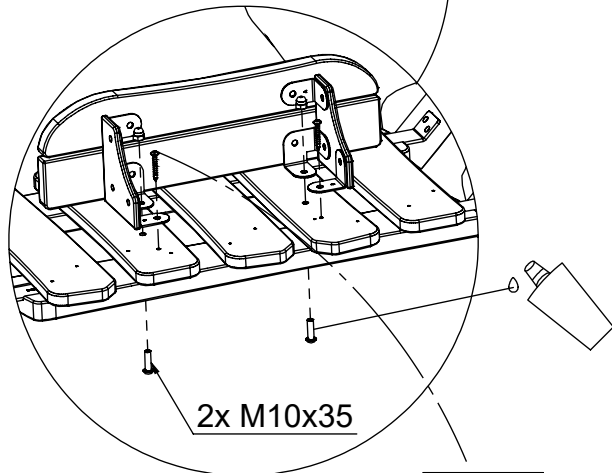
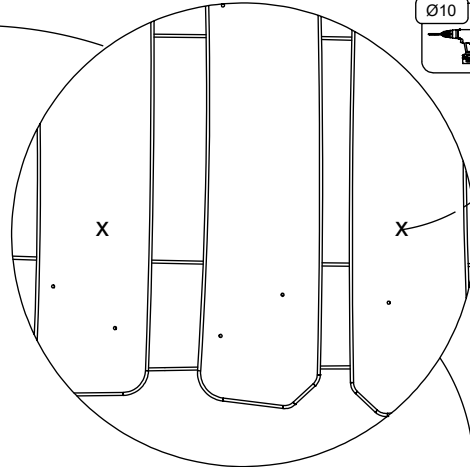
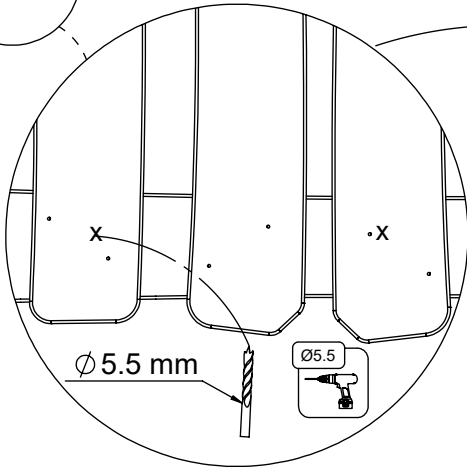
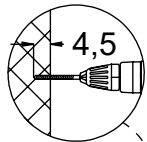
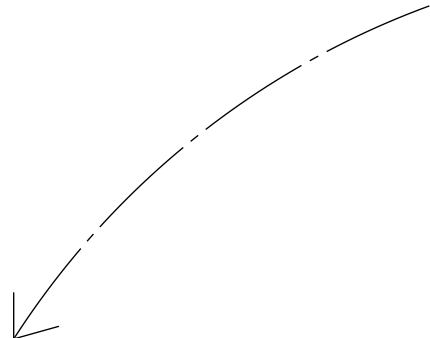
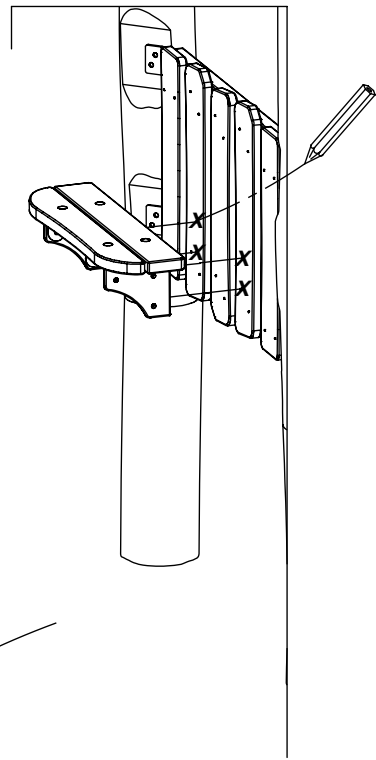
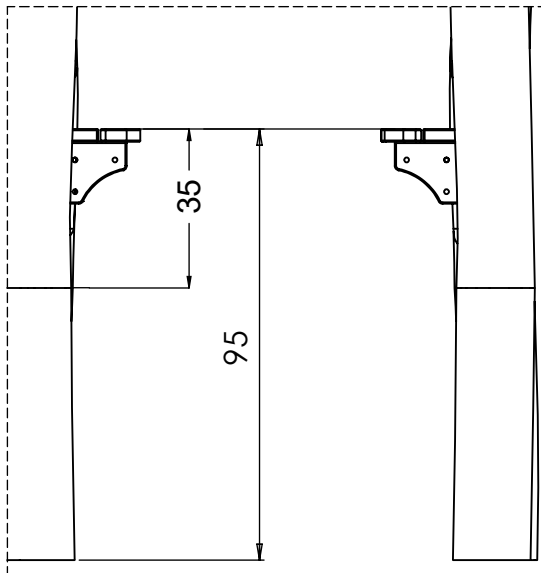


1x 12e014



[cm]

vinci
play

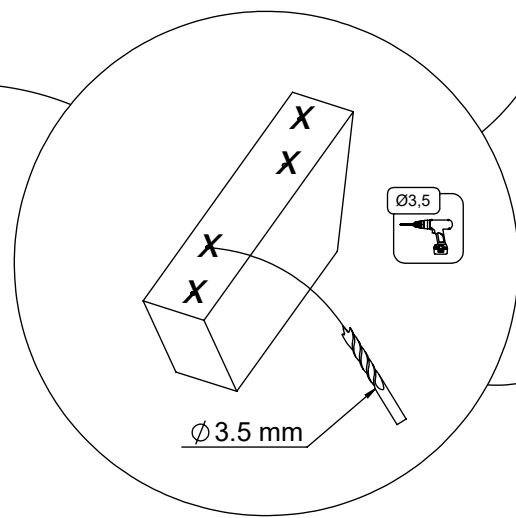
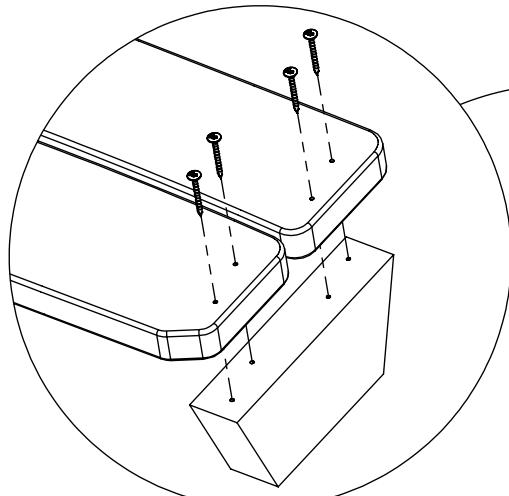
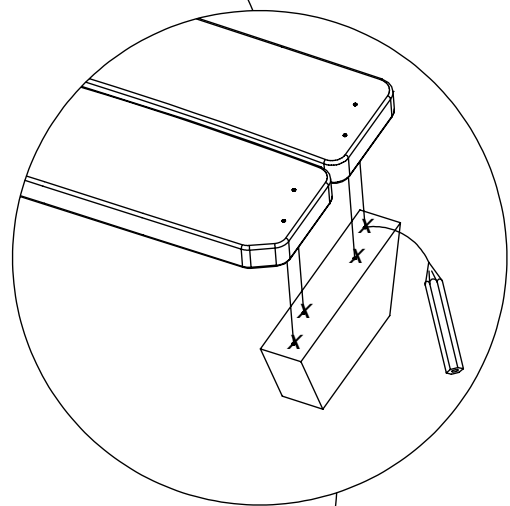
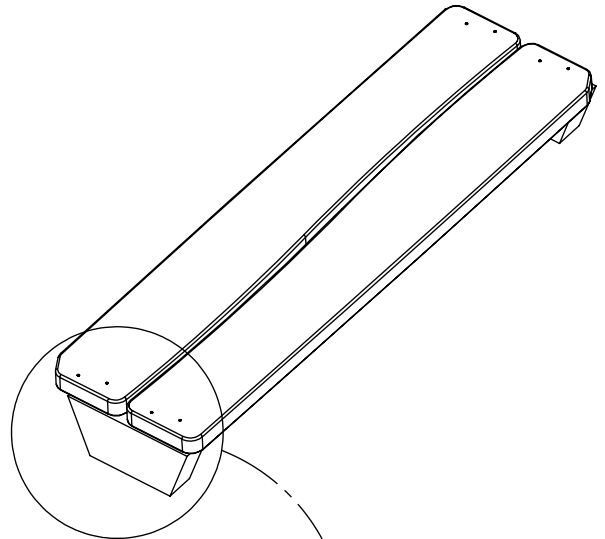
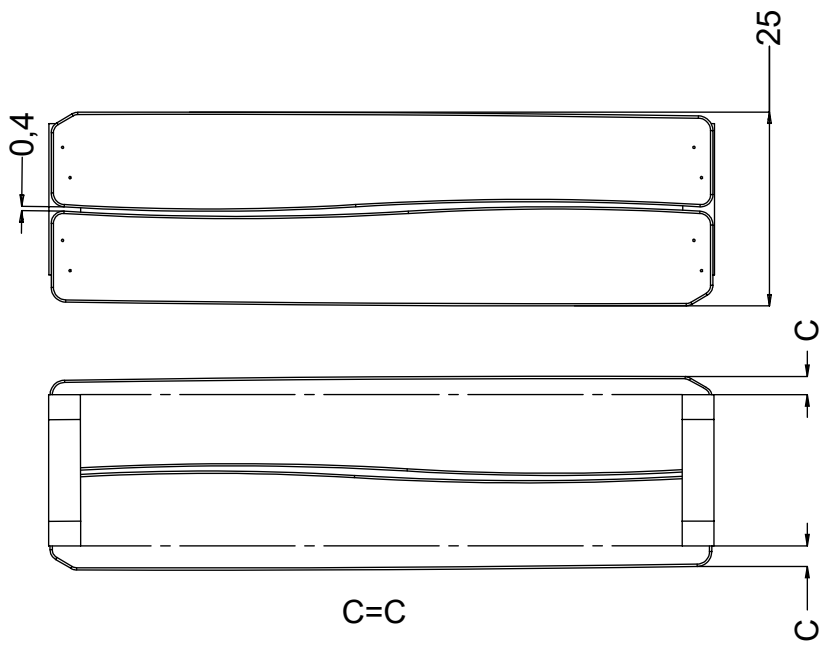
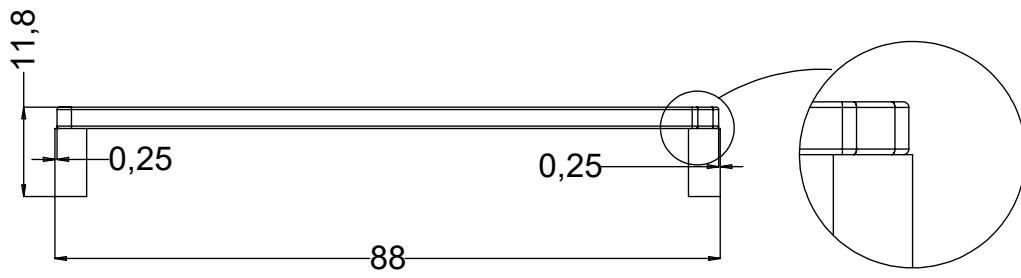


12e014

2x 8x50sxi

vinci
play

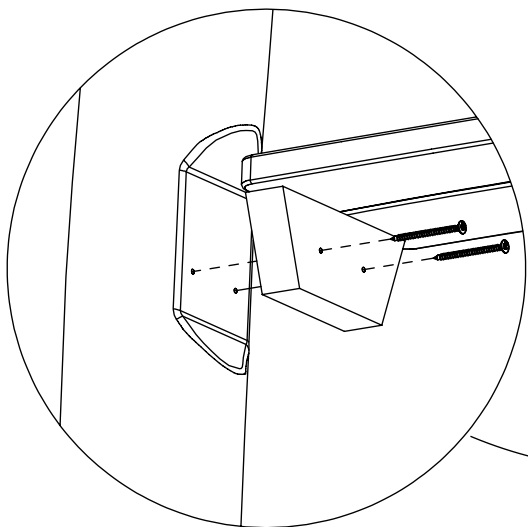
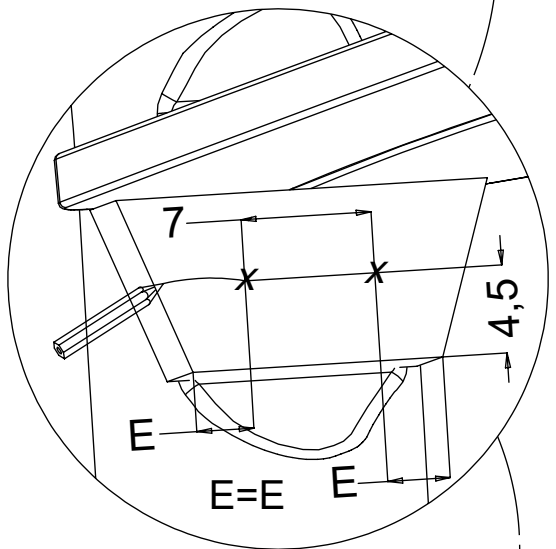
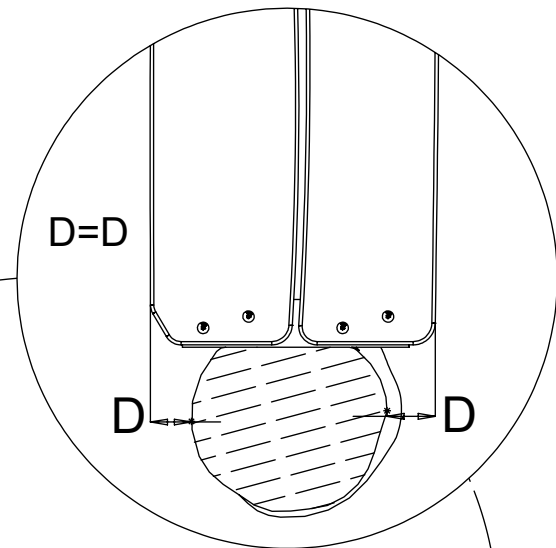
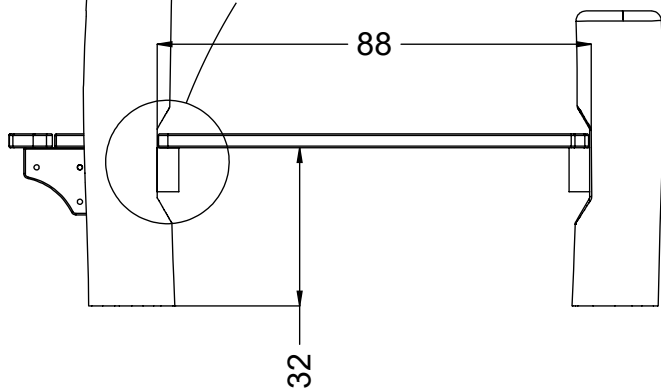
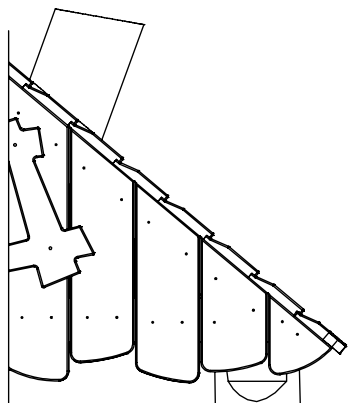
[cm]



8x 5x80sxs

[cm]

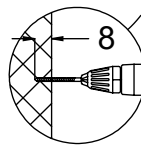
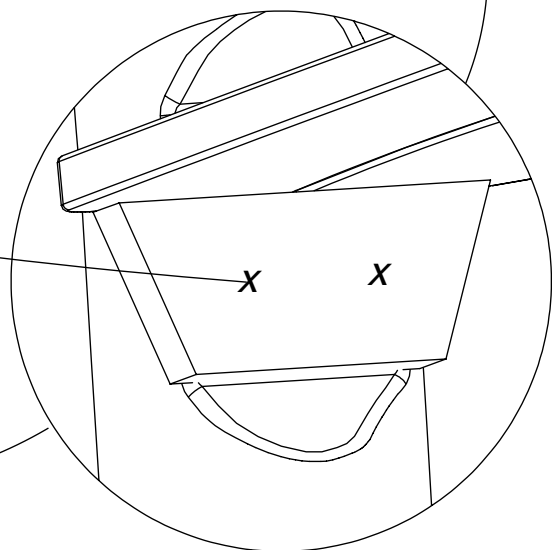
vinci
play

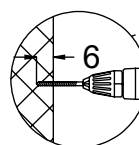
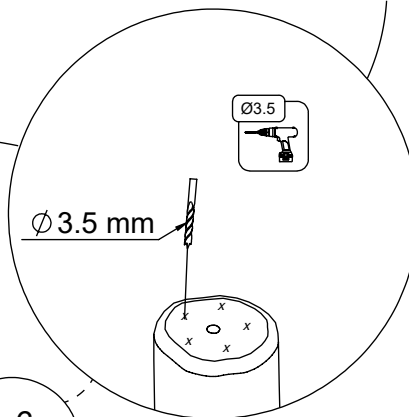
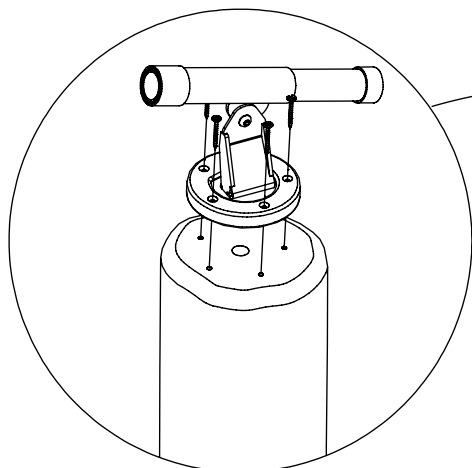
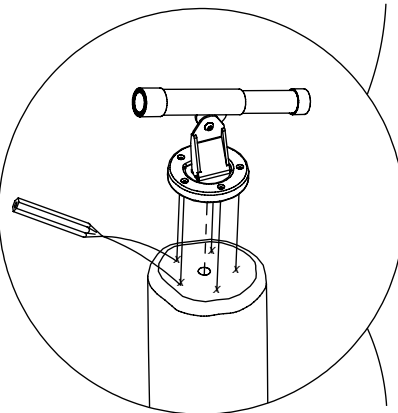
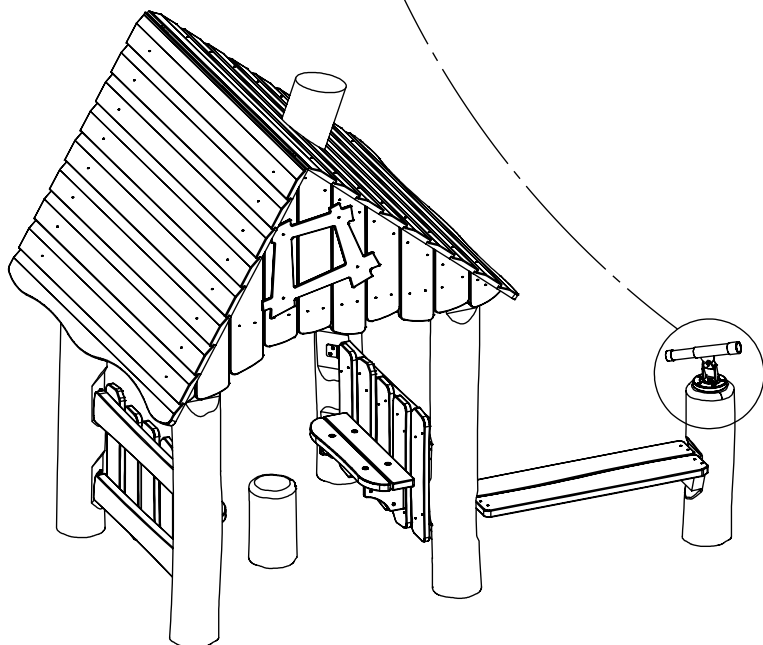
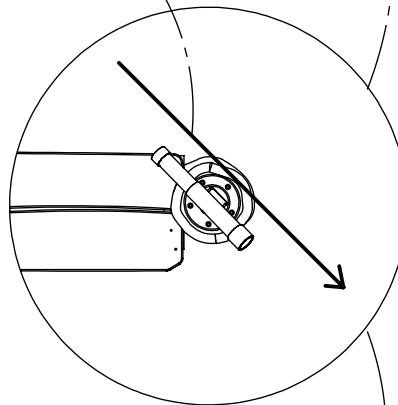
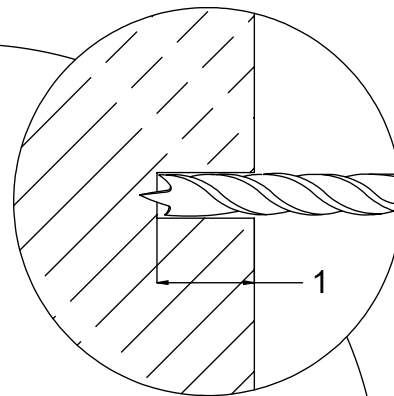
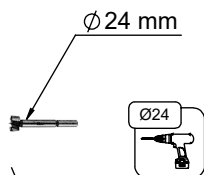
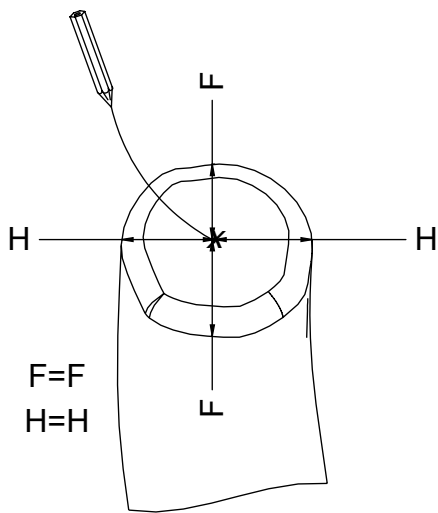


4x 8x80sxt



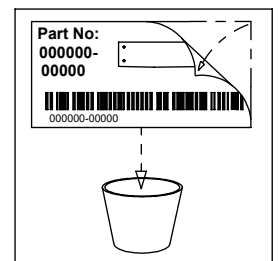
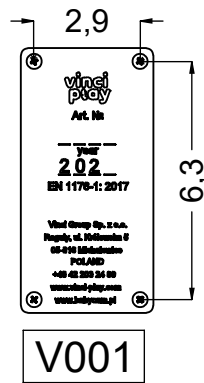
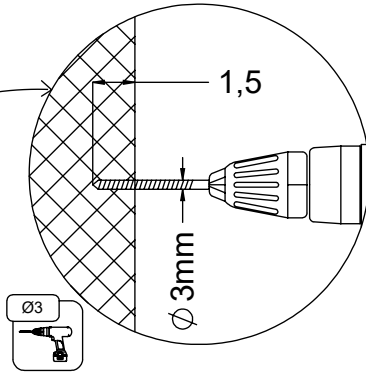
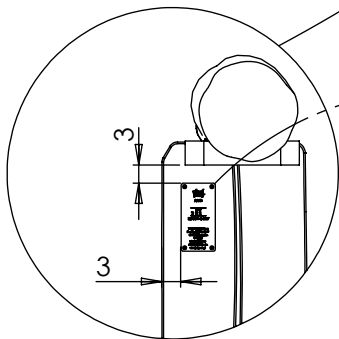
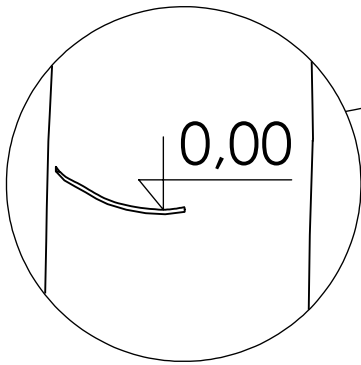
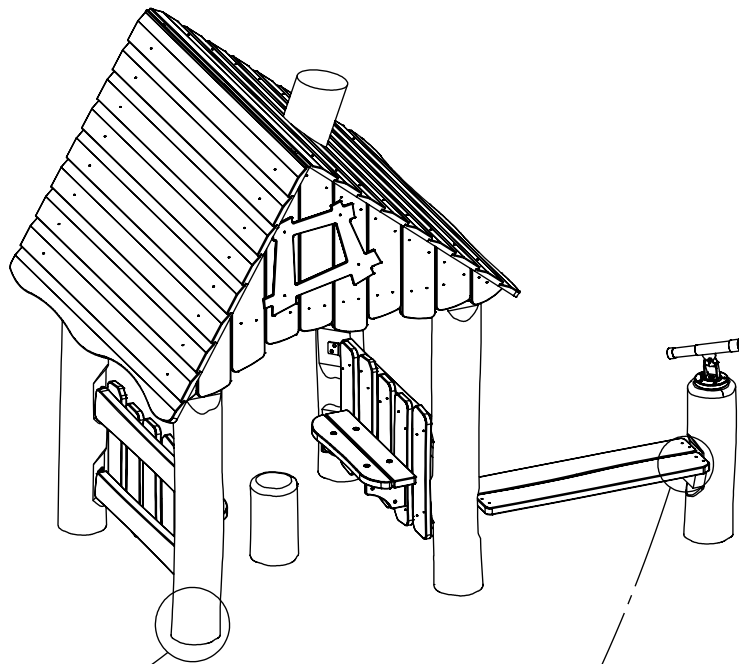
Ø 5,5mm





[cm]

vinci
play



[cm]

vinci
play