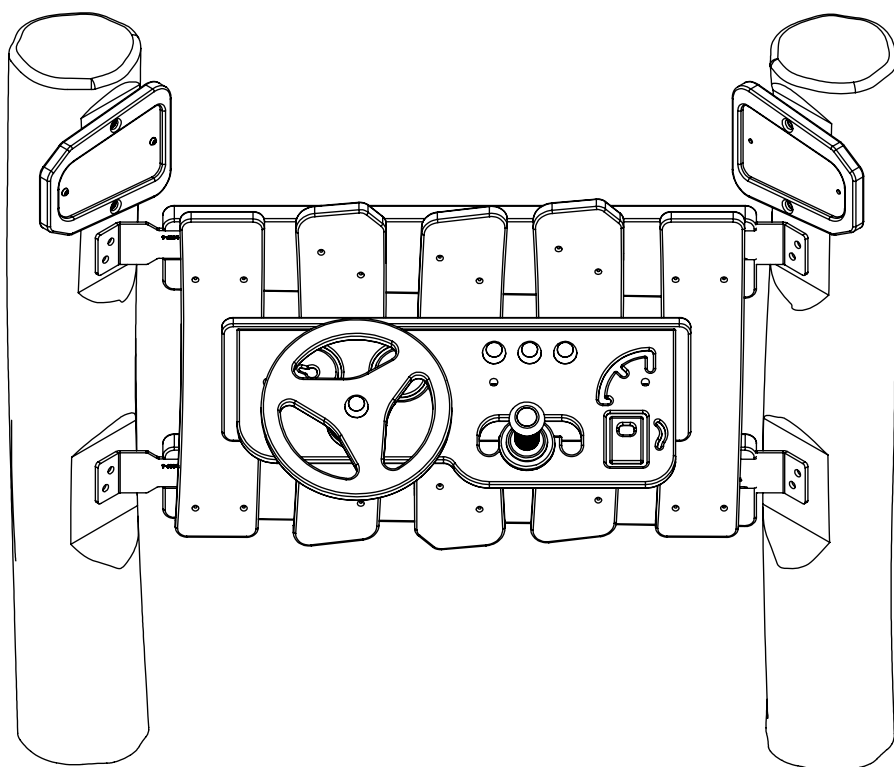
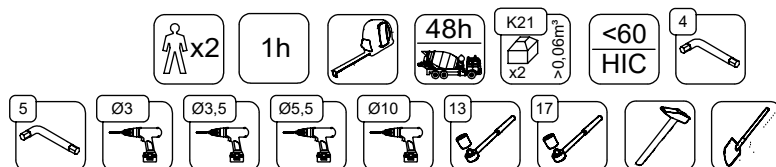


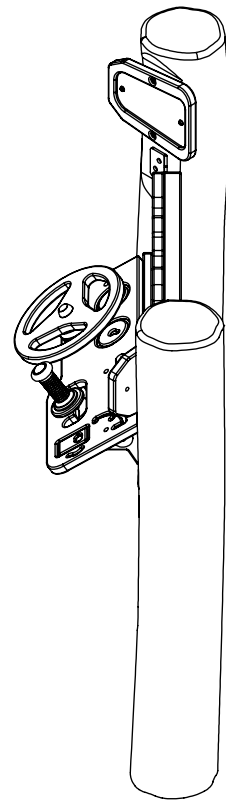
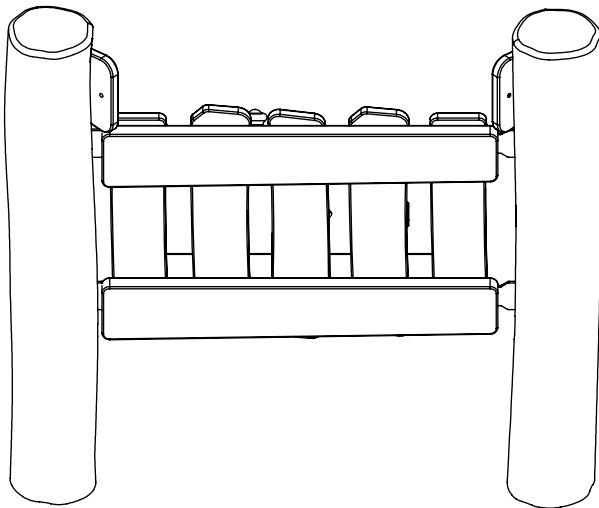
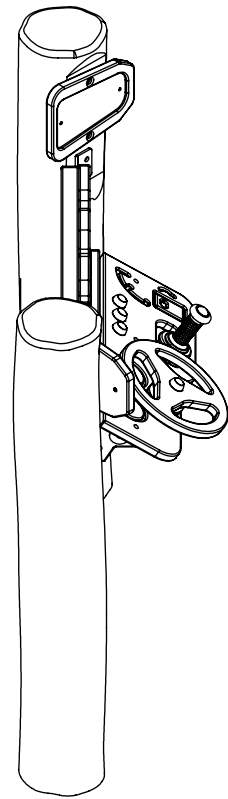
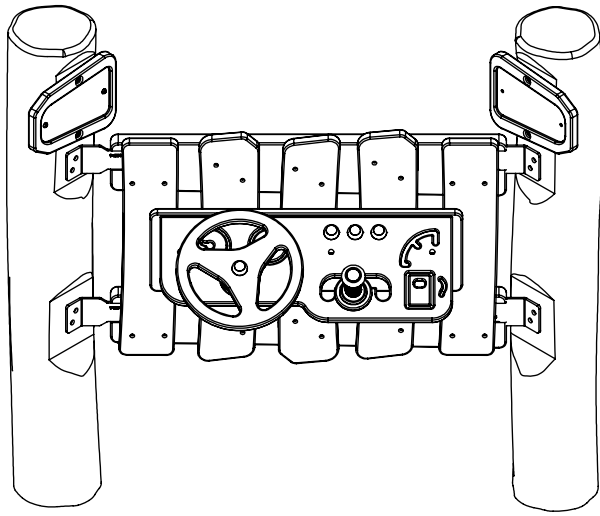
# RB1340



v011  
18.05.2021  
A. P.  
[cm]

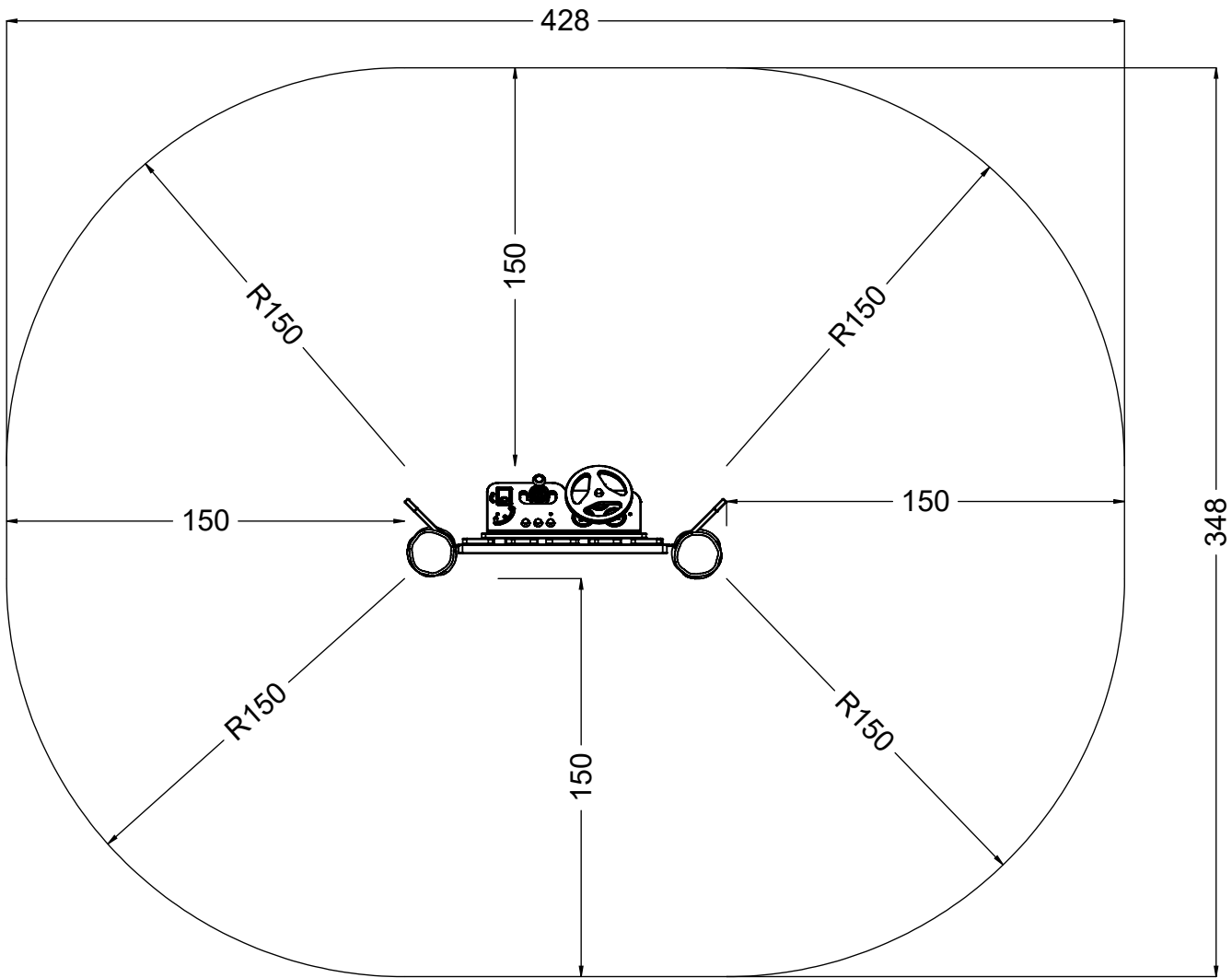
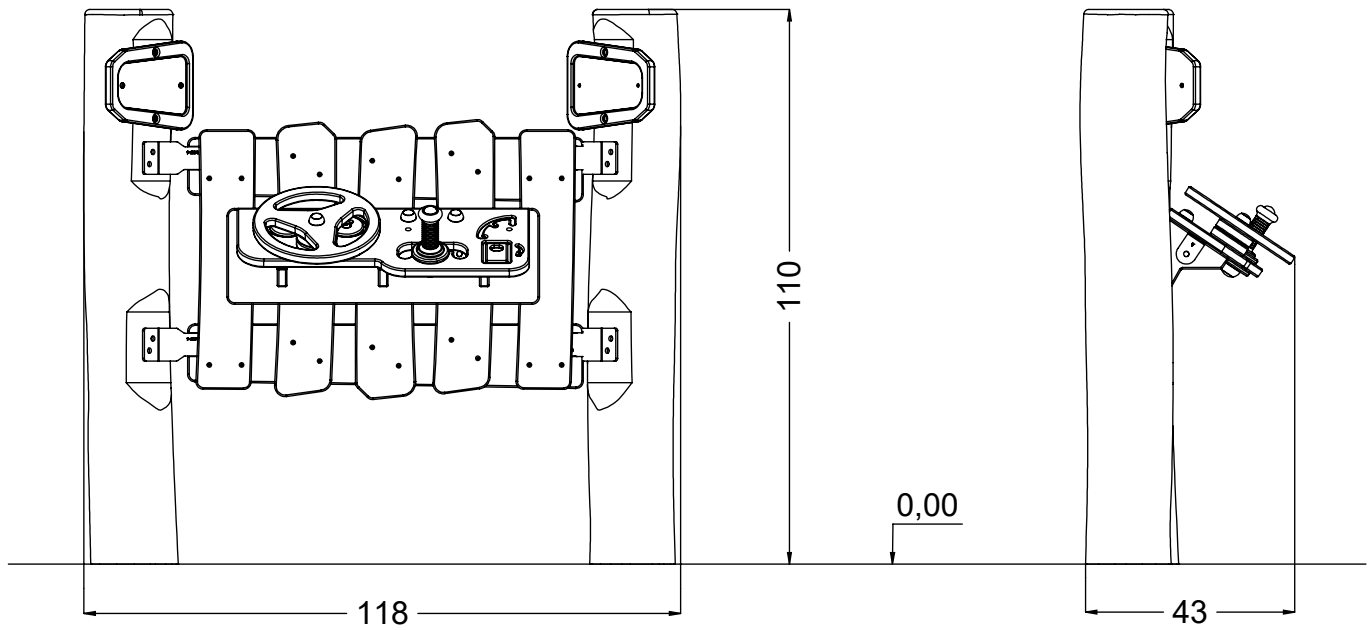


vinci  
play



[cm]

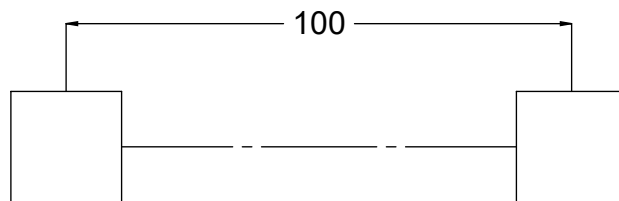
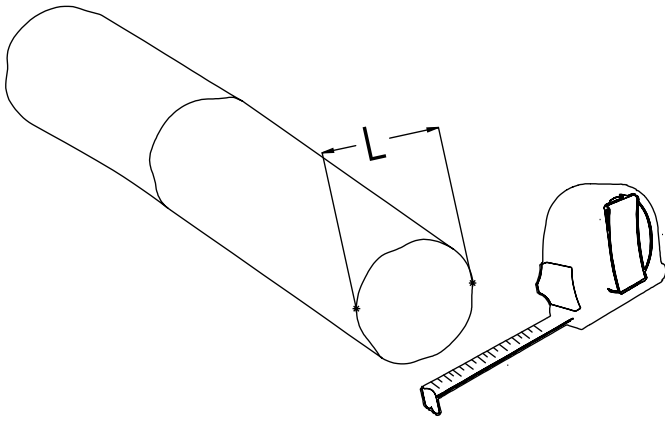
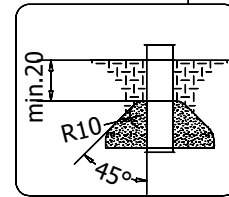
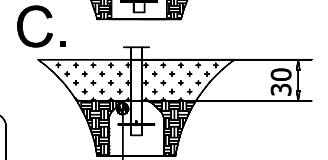
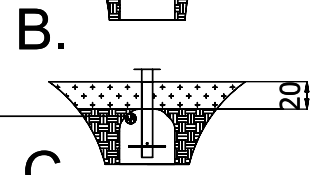
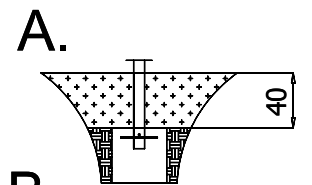
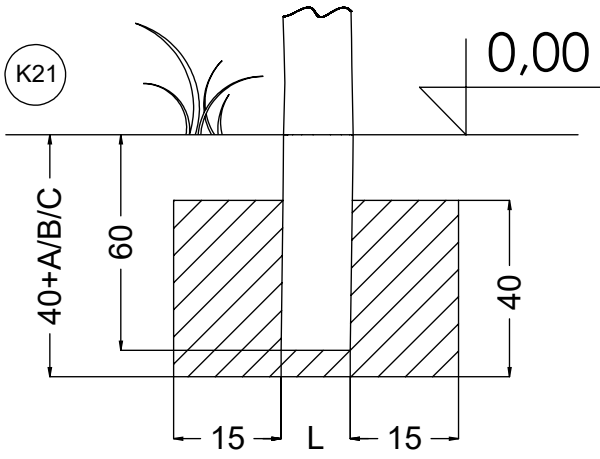
vinci  
play



[cm]



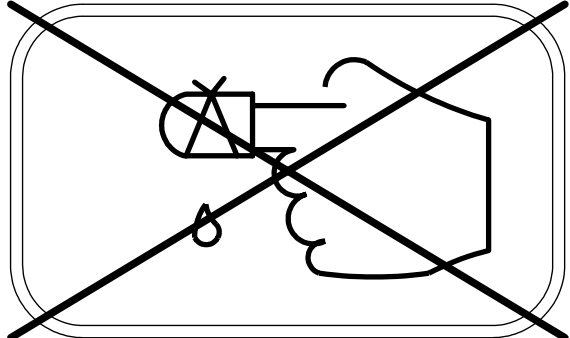
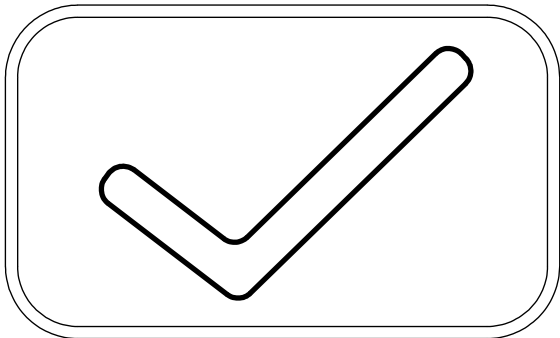
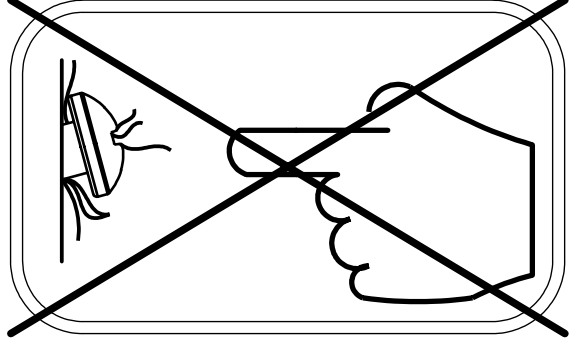
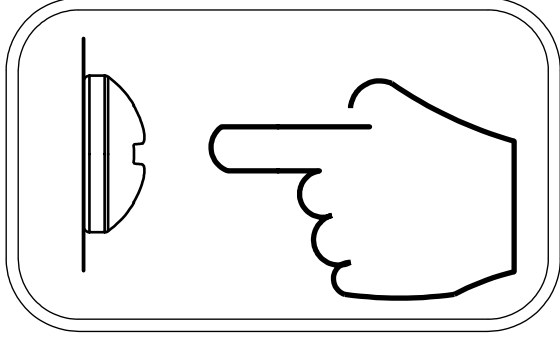
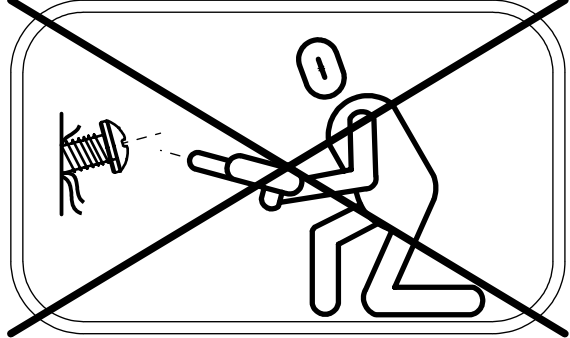
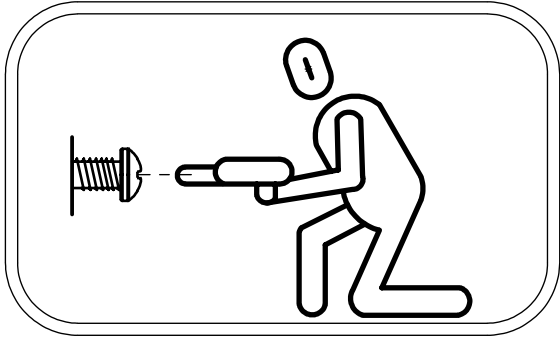
vinci  
play



[cm]

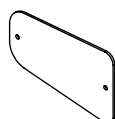


vinci  
play

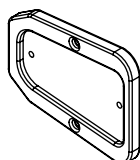




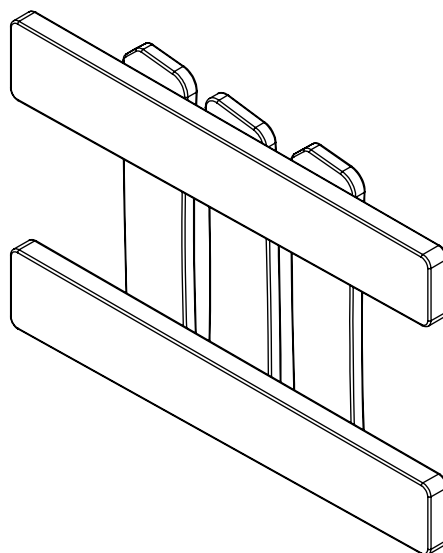
127467  
x2



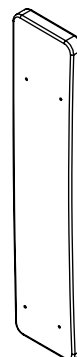
121145  
x2



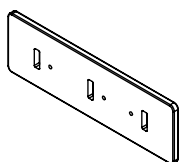
121146  
x2



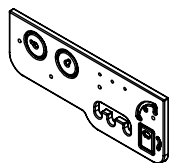
124111  
x1



128194  
x2



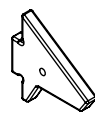
121118  
x1



141176  
x1



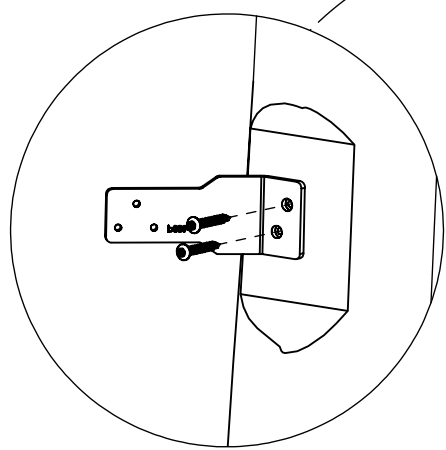
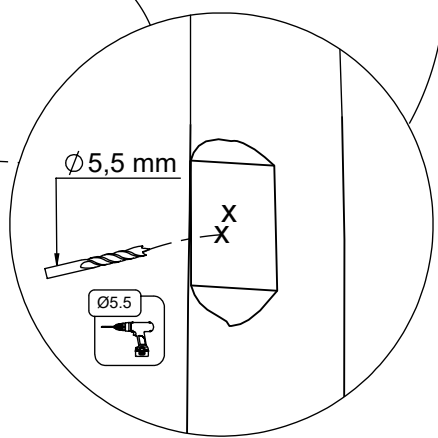
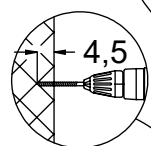
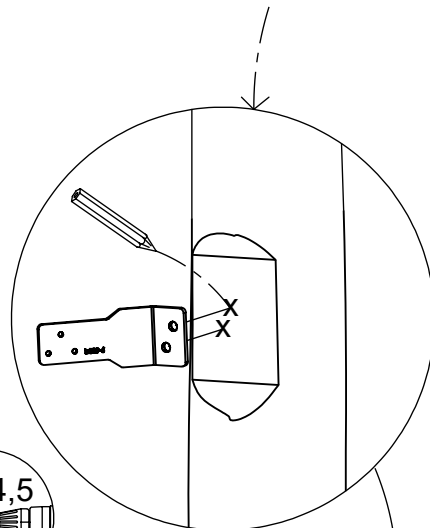
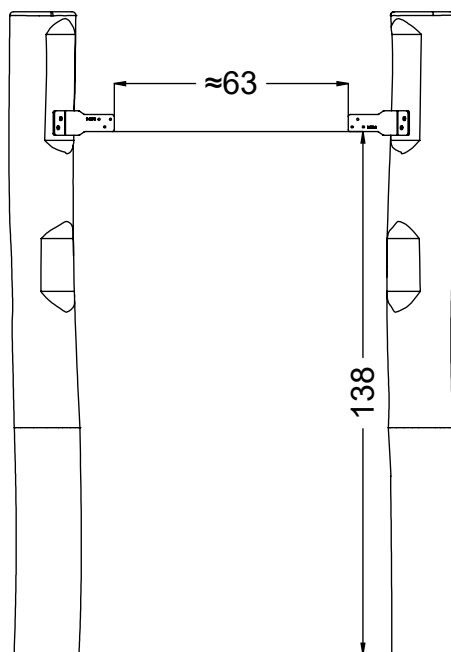
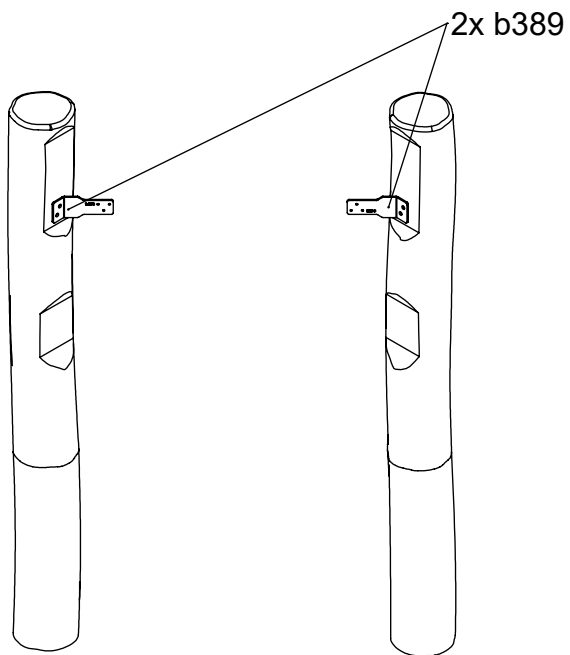
141173  
x1



141174  
x3

8x	5x50sxs
12x	5x30sxs
12x	8x50sxi

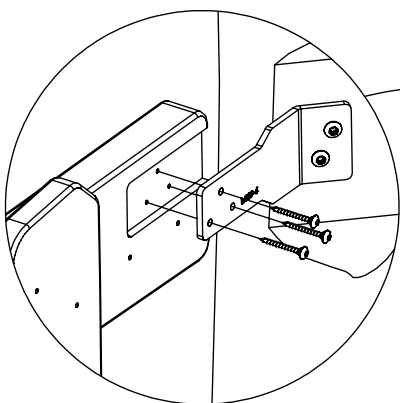
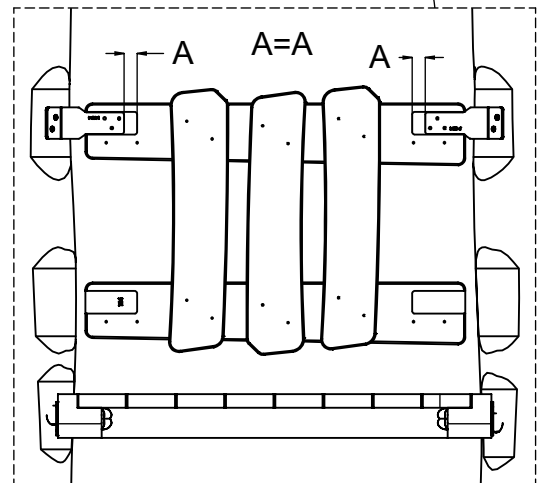
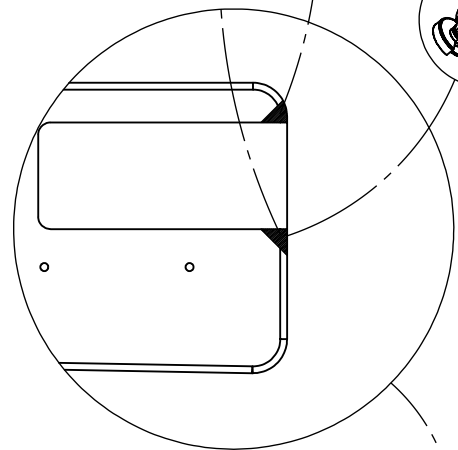
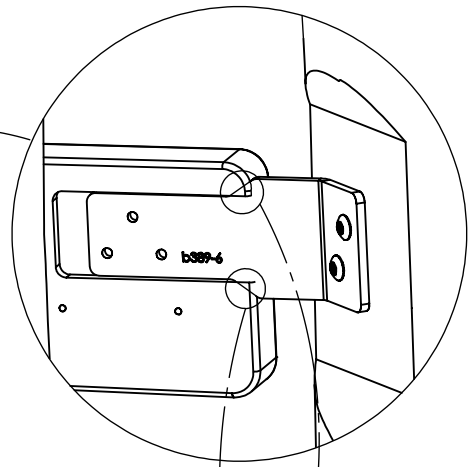
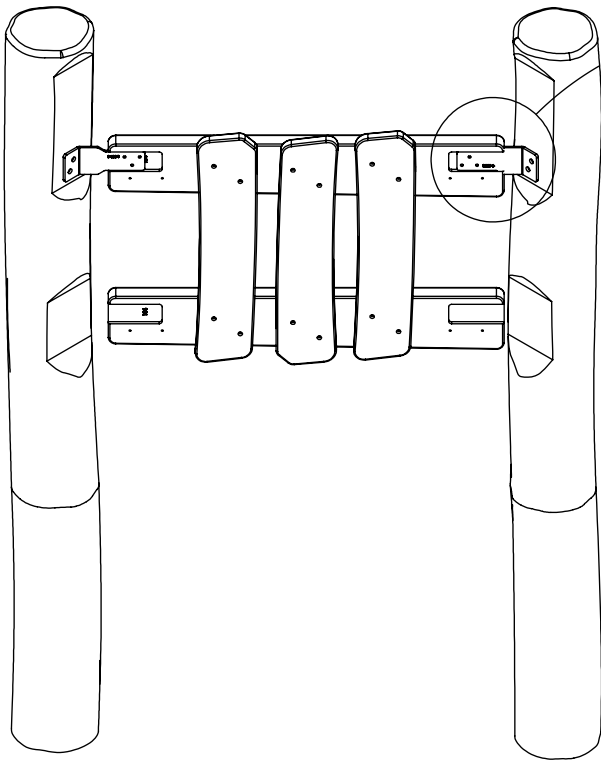
1x	12e073
1x	12e074
2x	12e085
1x	12e101
1x	12e102
1x	12e103
4x	b389
1x	V001



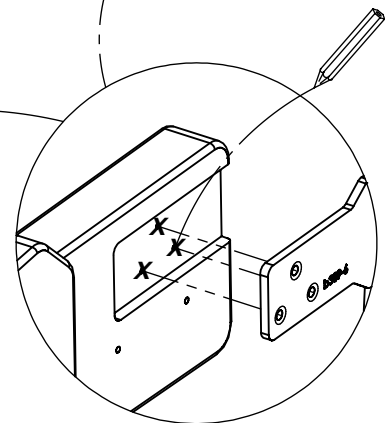
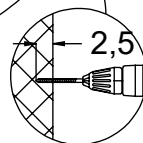
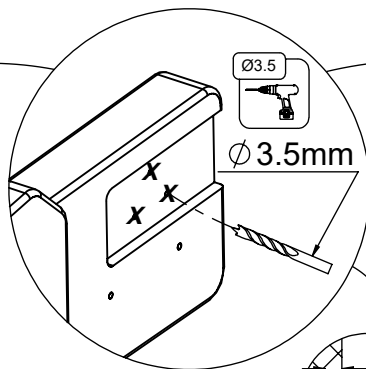
4x 8x50sxi

[cm]

vinci  
play



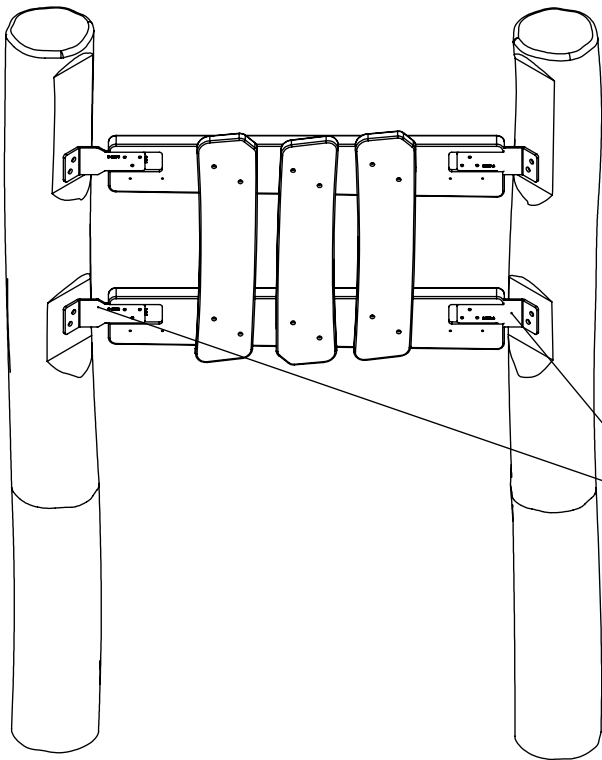
6x 5x30sxs



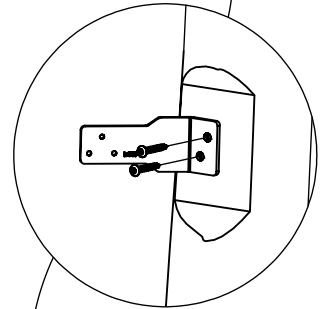
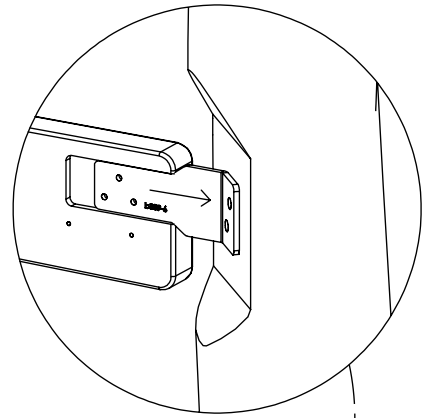
[cm]

vinci  
play

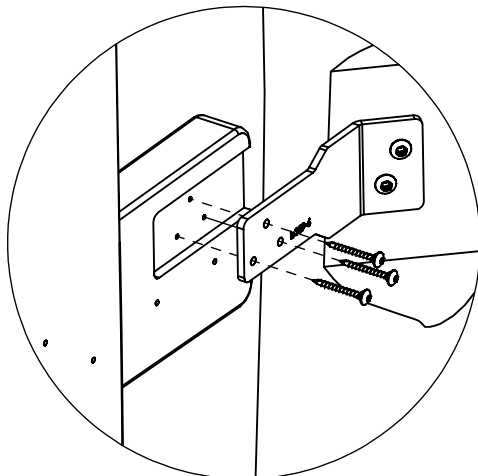
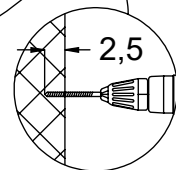
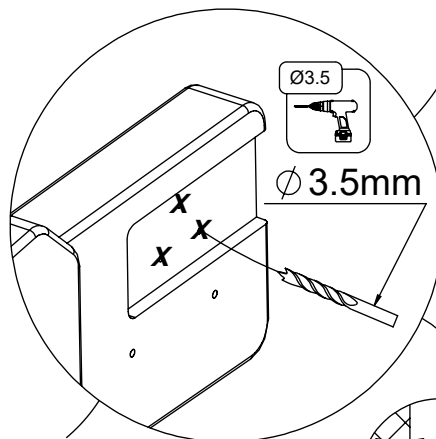
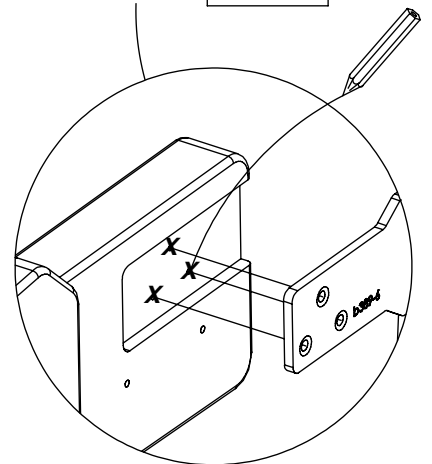




2x b389



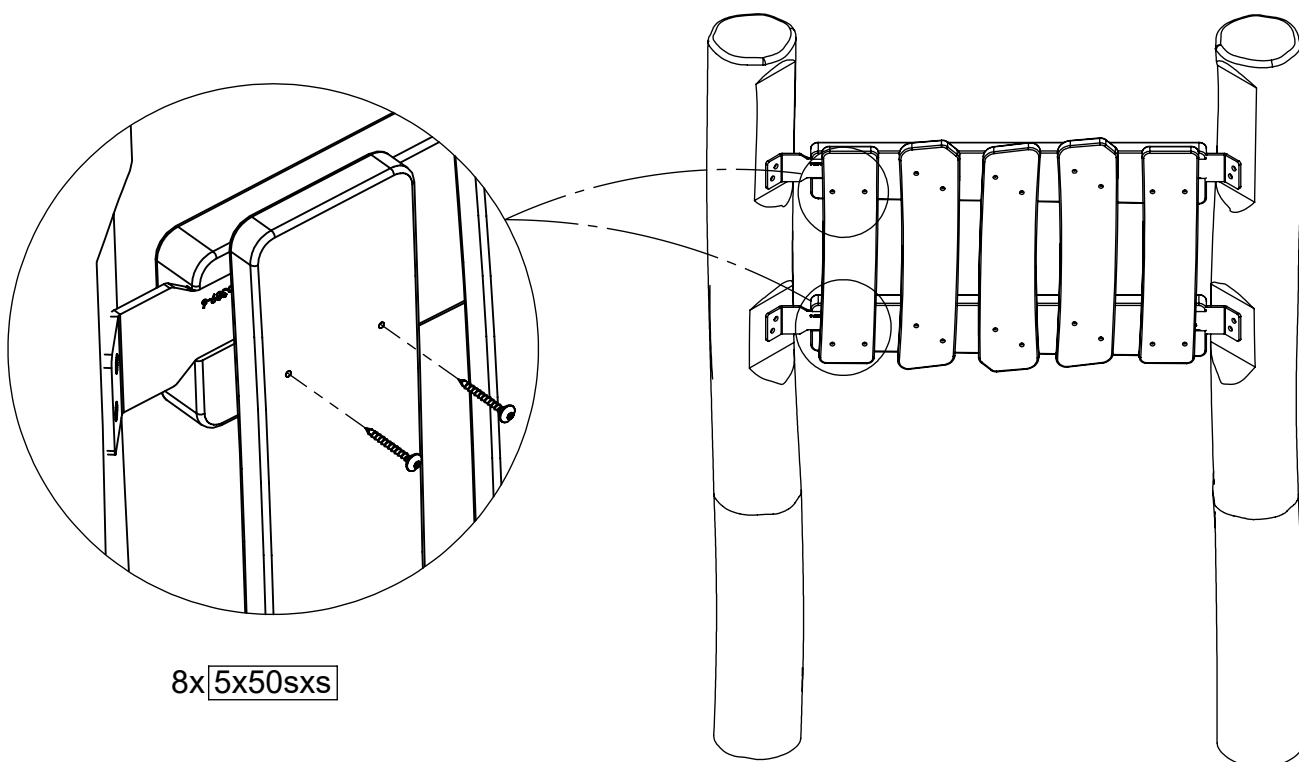
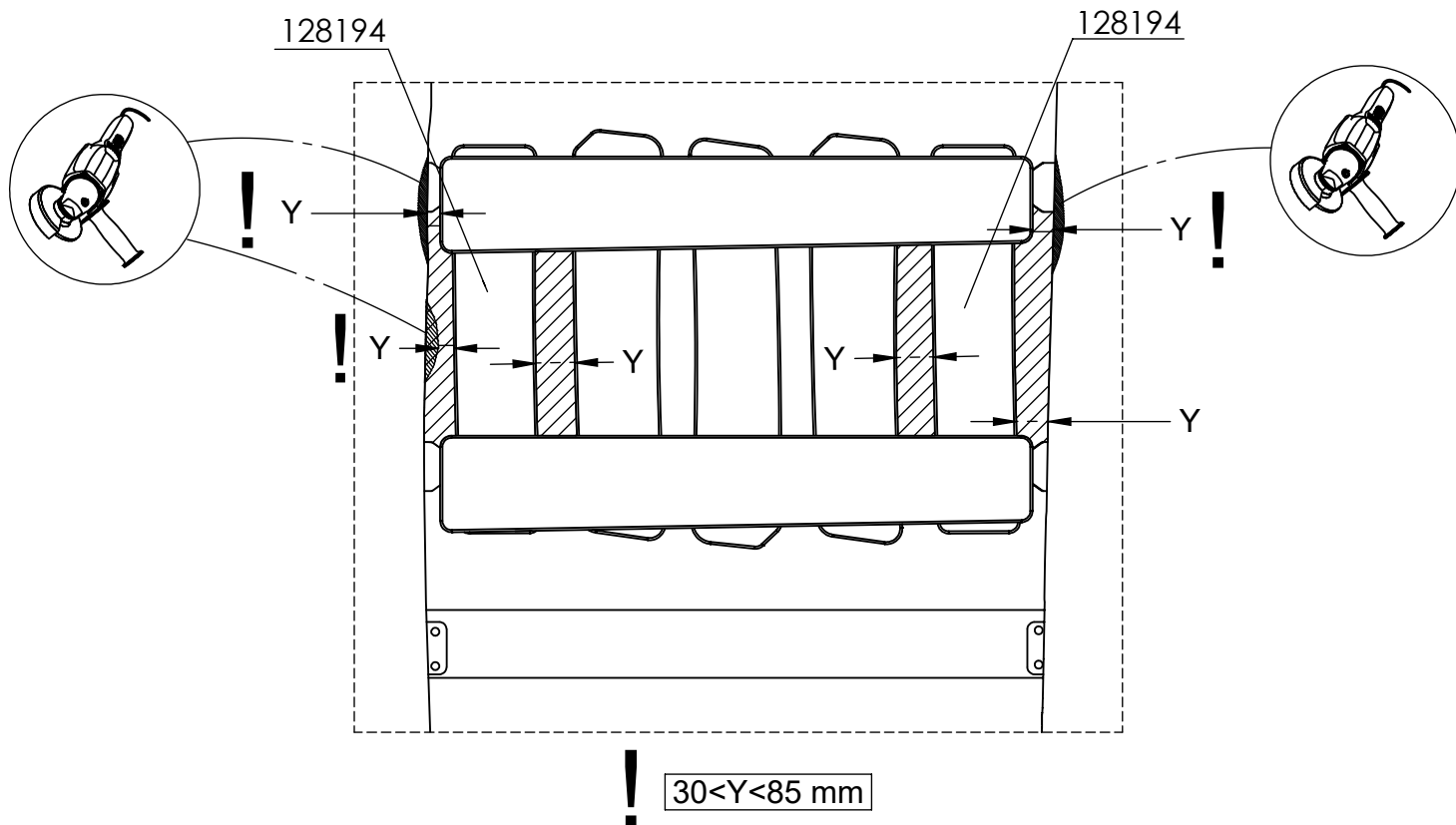
8x 8x50sxi

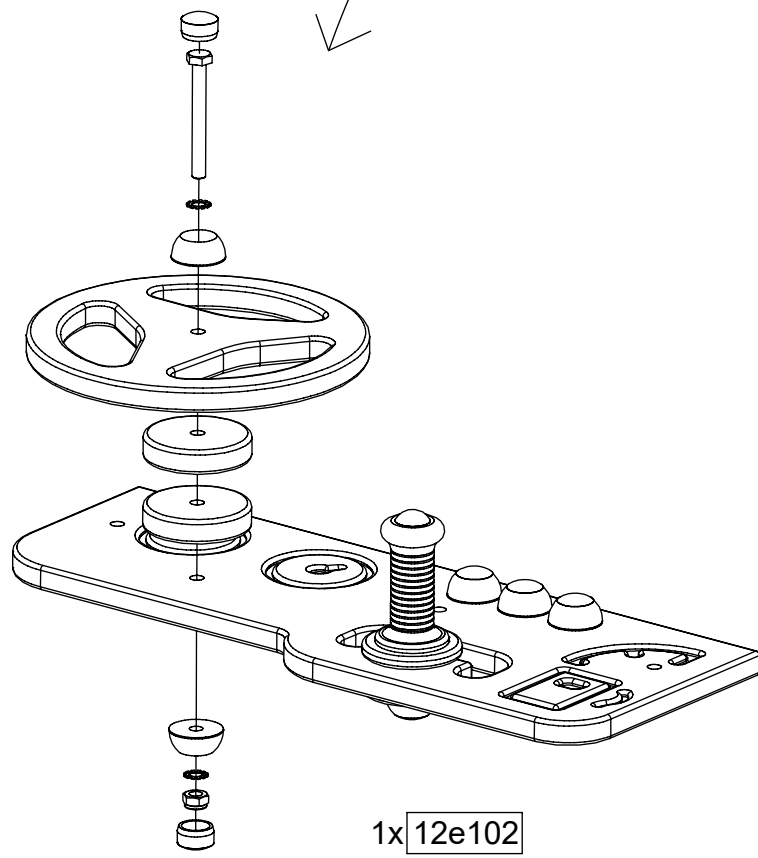
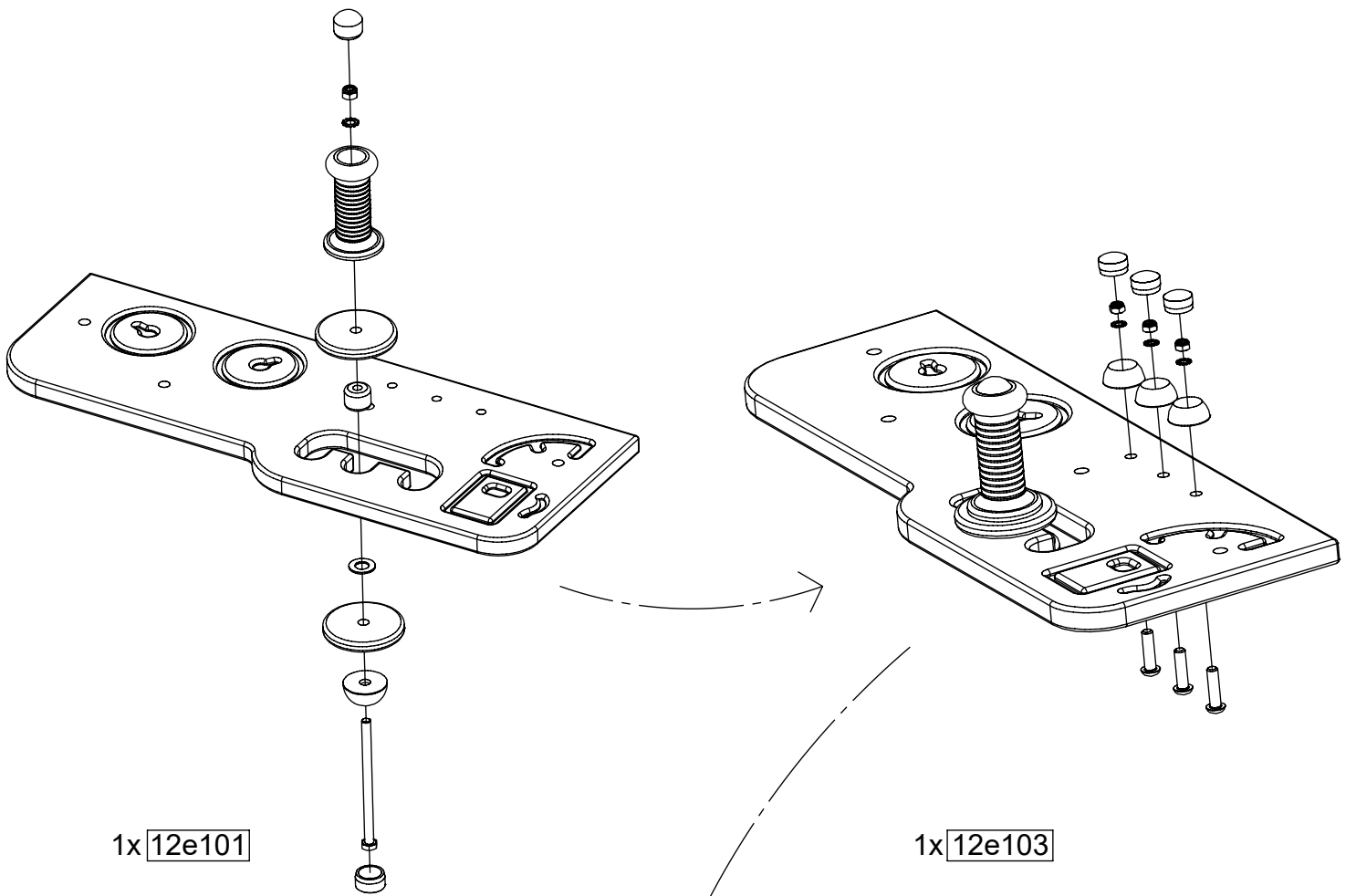


6x 5x30sxs

[cm]

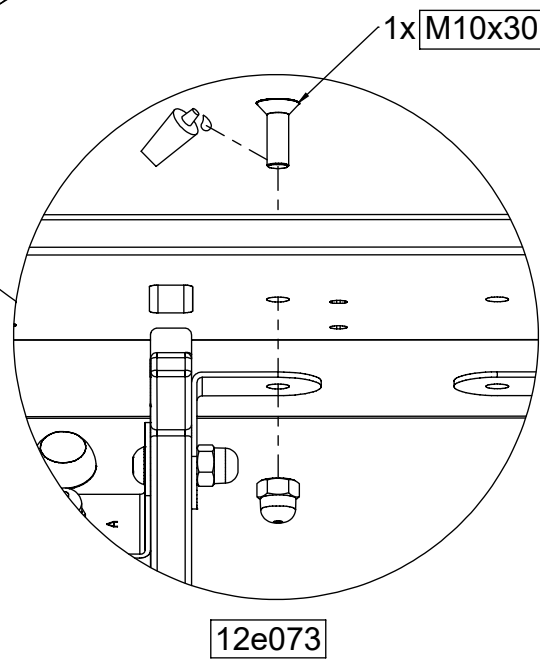
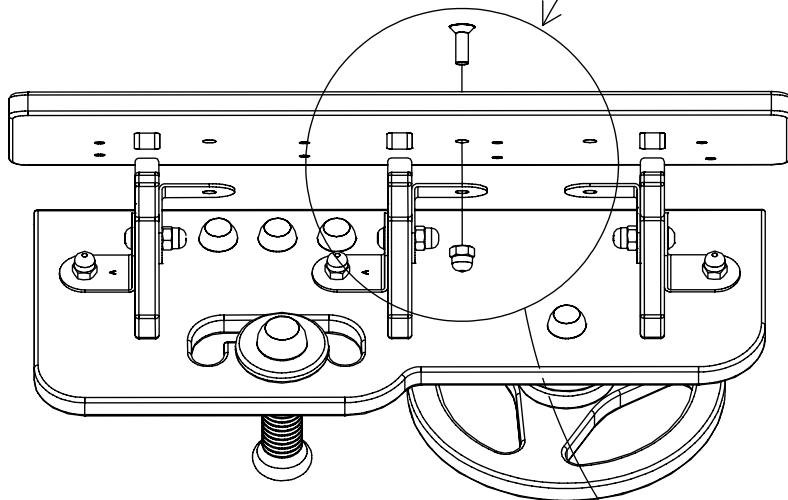
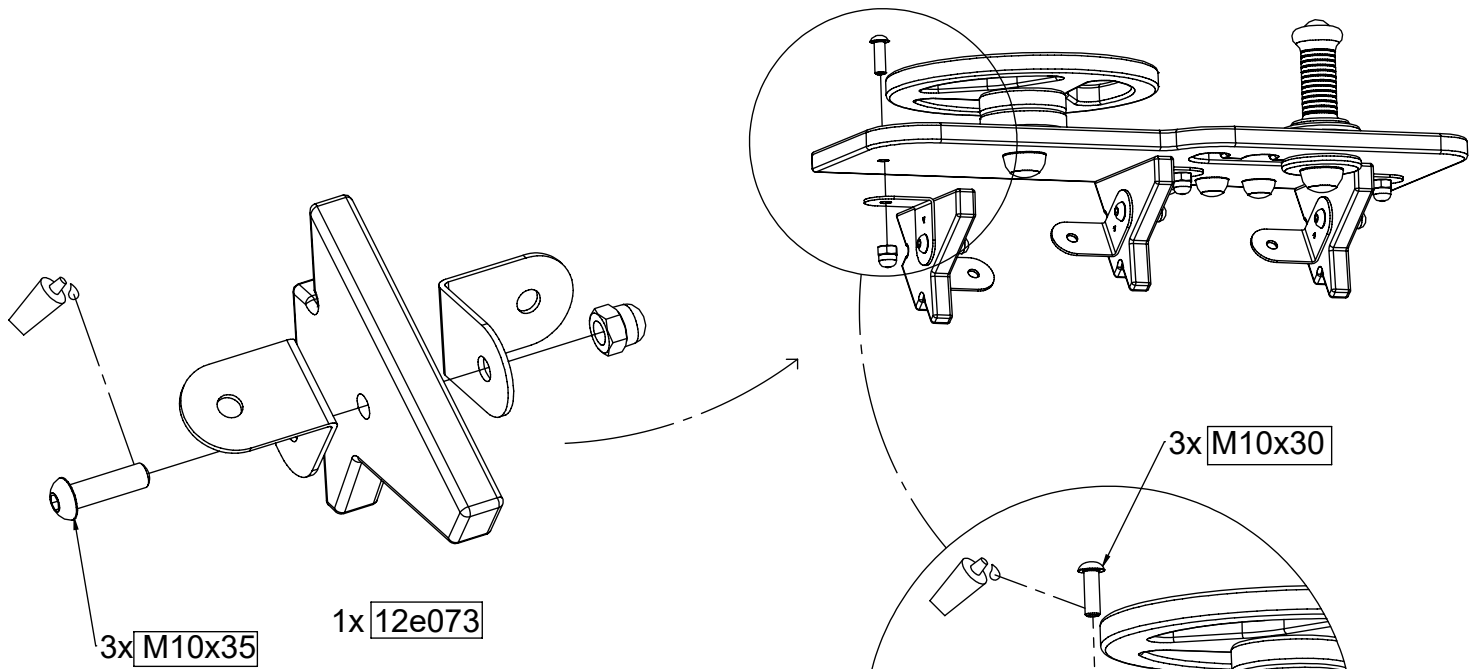
vinci  
play

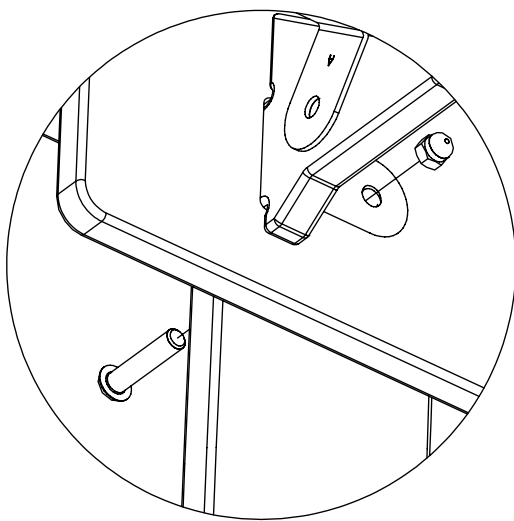
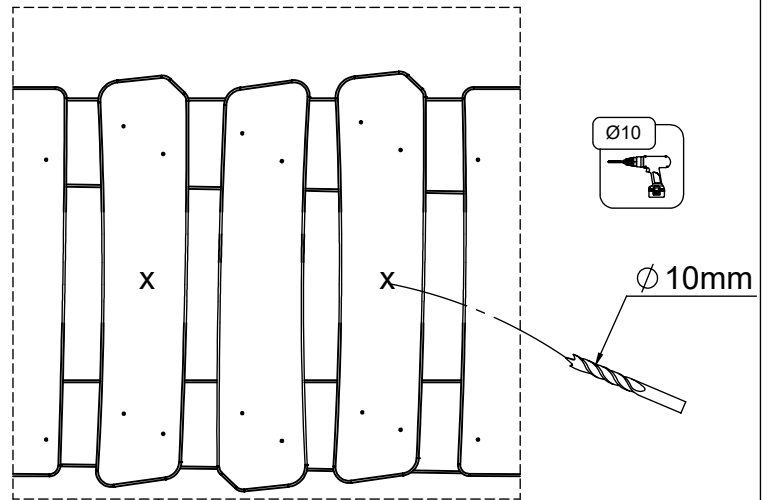
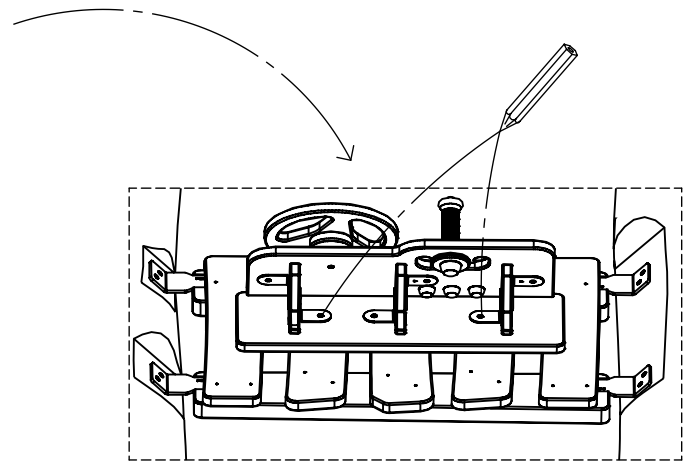
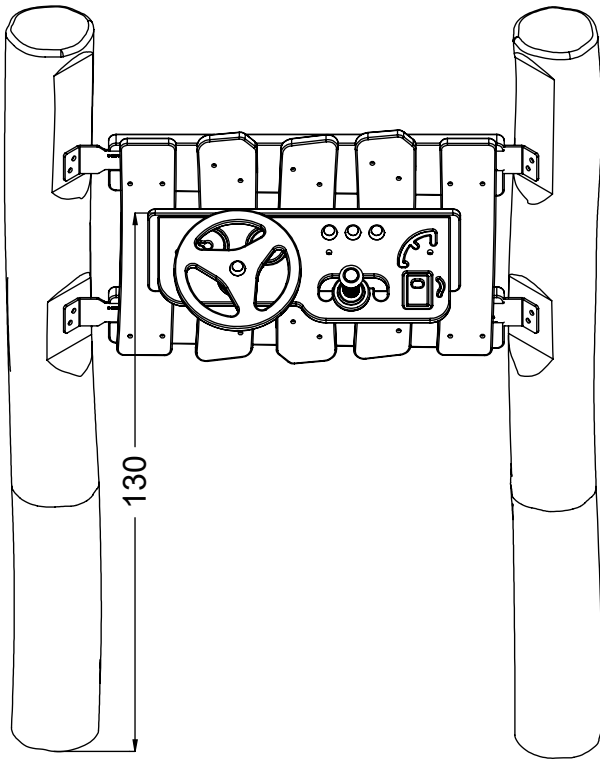




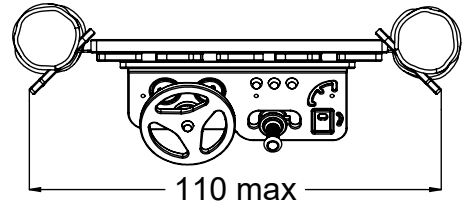
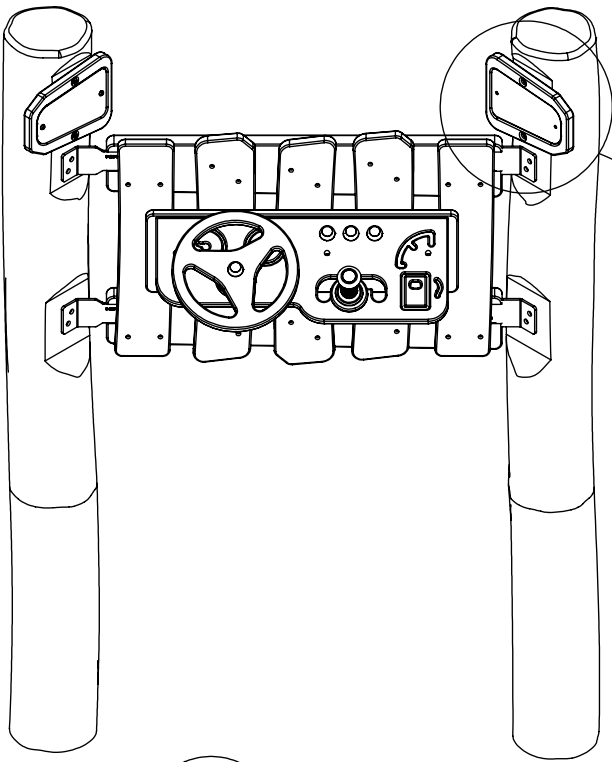
[cm]

vinci  
play

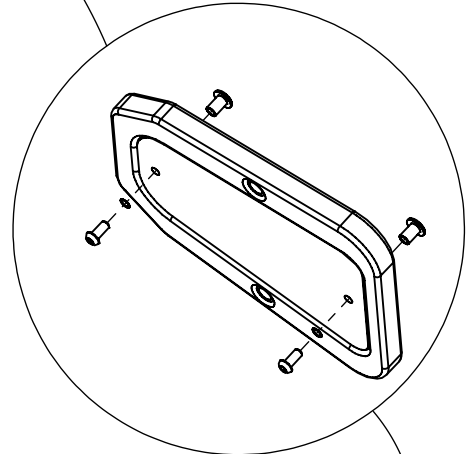




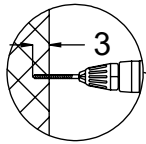
1x 12e074



110 max

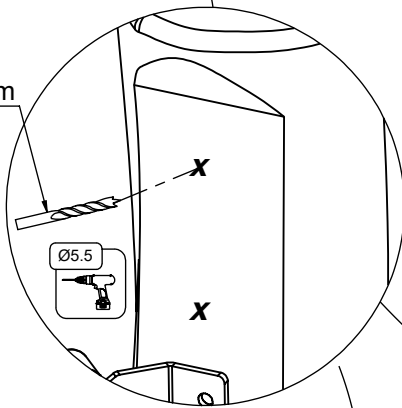


2x 12e085

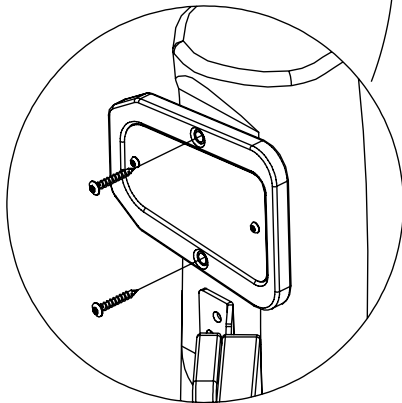


3

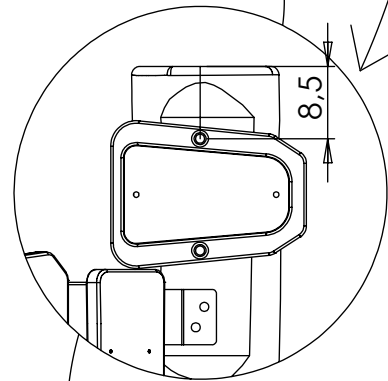
Ø 5,5 mm



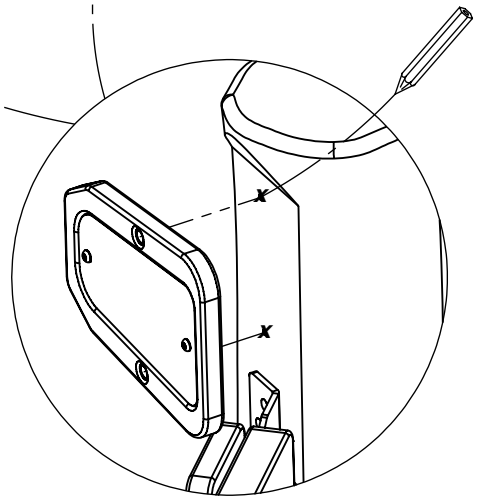
Ø5.5

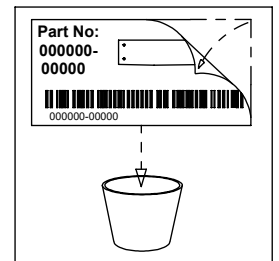
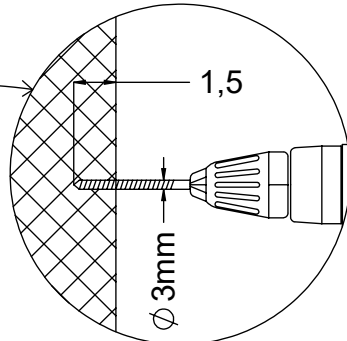
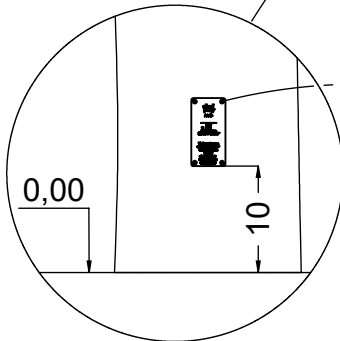
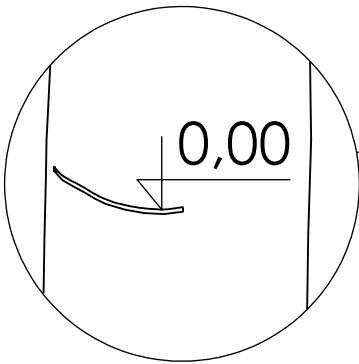
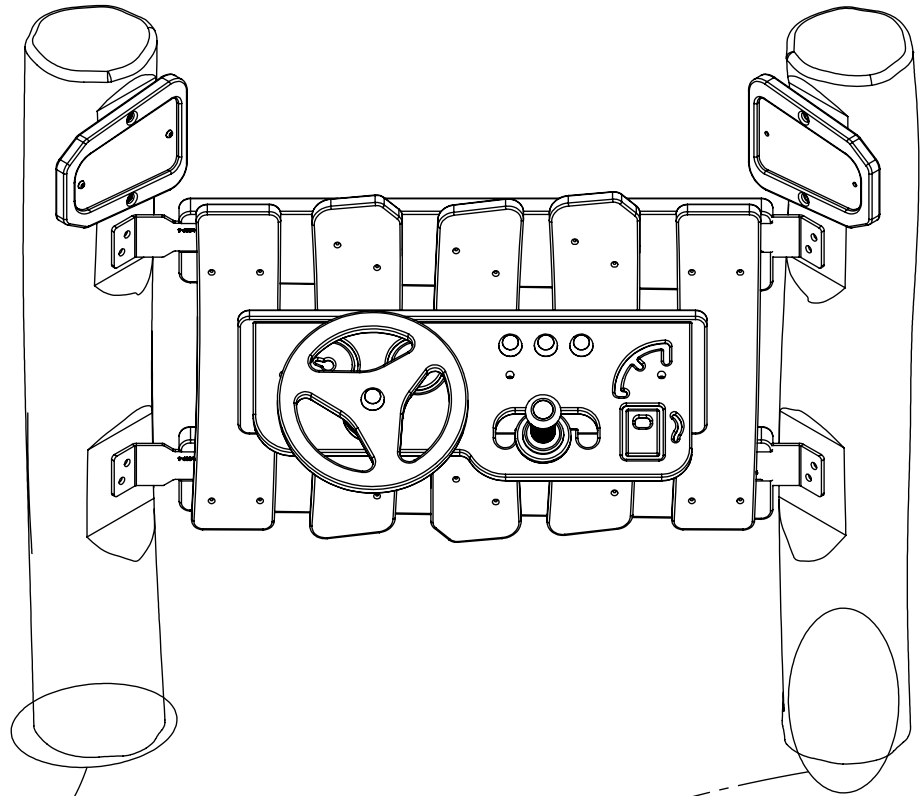


4x 8x50sxi



8,5





[cm]

vinci  
play